

 *Savoir-faire français*
Industrie France

CATALOGUE #1B RIGGING



SPARCRAFT™
Performance Engineering



➤ Wire / Câbles

➤ Fittings / Embouts

➤ Accessories / Accessoires

➤ Rod & Fittings / Rod et embouts

EXPERTISE since 1962

RELIABLE MATERIALS
FIABILITÉ DES MATÉRIAUX



SPARCRAFT
DIVISION RIGGING

WICHARD - RONSTAN - ANDERSEN - PROFURL - FACNOR - SPARCRAFT - LORIMA - AXXON

 **Wichard**
GRUPE
since 1919





Wire / Câbles

P. 2-3

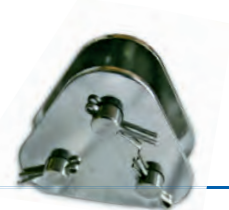
- Wire rope / Câble Monotonon
- Compacted strand cable / Câble Compacted strand
- Rod
- Coated Ss Wire / Câble gainé



FITTINGS / EMOBOUTS

P. 4-13

- Eye, stemball, stemball eye, toggle or fork, hook, swage studs,...
- Eye or ball turnbuckles, toggle or fork turnbuckles, thread-turnbuckles,...
- Embouts à œil, à boule, à boule-œil, à chape articulée ou fixe, en T, à canne, filetés,...
- Ridoirs à œil, à boule, à chape fixe ou articulée, à visser,...



ACCESSORIES / ACCESSOIRES

P. 15-19

- Swageless fitting, stemball cup, "T" backing plates, pins, strap toggles, eye jaw toggles, insulators,...
- Embouts manuels, coupelles, plaques d'ancrage en T, axes, cardans, cavaliers, isolateurs,...



ROD RIGGING / GRÉEMENT ROD

P. 20-27

- Rod & Fittings / Rod et embouts
- Tip cups



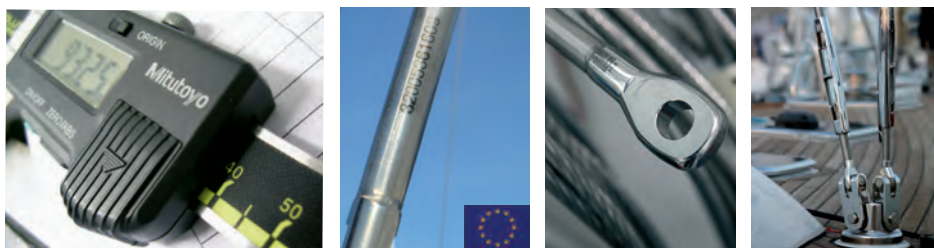
MISCELLANEOUS / DIVERS

P. 28-31

- Chainplate layout (monohull & multihull) / Relevés de cadènes (monocoques & multicoques)

Please note : pictures and datas are non-contractual. Average values, subject to modification
 Nota : Photos et données non contractuelles. Valeurs moyennes, sujettes à évolution

TRACEABILITY - FIABILITY - PERFORMANCE / TRAÇABILITÉ - FIABILITÉ - PERFORMANCE



Sparcraft assembles and sells quality standing riggings. The selected parts are manufactured with the best alloys from European origin according to reliable and tested machining and forging methods.

The numerous quality controls and a strict traceability placed Sparcraft to the top of the rigging line.

Sparcraft assemble et commercialise des gréements dormants de qualité. Les pièces sélectionnées sont fabriquées dans les meilleurs alliages d'origine européenne et selon des méthodes d'usinage et de forgeage éprouvées et fiables.

Les nombreux contrôles et une traçabilité rigoureuse ont permis de hisser Sparcraft dans le haut de gamme du gréement.

STAINLESS STEEL WIRE / CÂBLE INOX



1x19

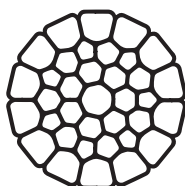
STAINLESS STEEL WIRE 1x19 / MONOTORON

Ref N°	Wire Câble mm	Structure	Weight/100m Poids/100m [kg]	Min. breaking load Rupture [dN]
R1000030000	3.0	1x19	4.50	756
R1000040000	4.0	1x19	8.00	1340
R1000050000	5.0	1x19	12.51	2090
R1000060000	6.0	1x19	17.85	3010
R1000070000	7.0	1x19	24.25	4090
R1000080000	8.0	1x19	31.70	5340
R1000100000	10.0	1x19	49.55	7810
R1000120000	12.0	1x19	71.30	11250
R1000127000	12.7	1x19	81.00	12500
R1000140000	14.0	1x19	97.10	14250
R1000160000	16.0	1x19	127.00	18100
R1000190000	19.0	1x19	179.00	26000
R1000220000	22.0	1x19	240	34800

COMPACTED STRAND 1x19 / C-STRAND



1x19



1x25

Ref N°	Wire Câble mm	Structure	Weight/100m Poids/100m [kg]	Min. breaking load Rupture [dN]
R2000040000	4	1x19	9,6	1670
R2000050000	5	1x19	14,3	2520
R2000060000	6	1x19	20,8	3640
R2000070000	7	1x19	28,2	4950
R2000080000	8	1x19	36,3	6320
R2000100000	10	1x19	57	9500
R2000120000	12	1x19	82,5	13800
R2000140000	14	1x25	115,9	19500
R2000160000	16	1x25	149	24500
R2000190000	19	1x25	176	29100
R2000220000	22	1x25	270	36700

COATED STAINLESS STEEL WIRE / CÂBLES GÂÎNÉS

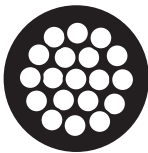
STAINLESS STEEL WIRE 7x19 / CÂBLE EXTRA SOUPLE



7x19

Ref N°	Wire Câble mm	Structure	Weight/100m Poids/100m [kg]	Min. breaking load Rupture [dN]
R1020030000	3.0	7x19	3.40	512
R1020040000	4.0	7x19	6.10	909
R1020050000	5.0	7x19	9.50	1420
R1020060000	6.0	7x19	13.80	2050
R1020070000	7.0	7x19	18.70	2560
R1020080000	8.0	7x19	24.30	3636
R1020100000	10.0	7x19	38.10	5600
R1020120000	12.0	7x19	54.8	8184

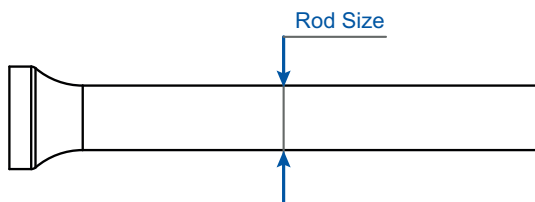
COATED S.S. WIRE 1x19 / MONOTORON GÂÎNÉ



1x19

Ref N°	Wire Câble mm	Structure	Color Couleur	Weight/100m Poids/100m [kg]	Min. breaking load Rupture [dN]
R1010030050	3,0 - 5,0	1x19	Blanc	6	742
R1010040060	4,0 - 6,0	1x19	Blanc	10	1320

STANDARD ROD RIGGING / GRÉEMENT ROD STANDARD

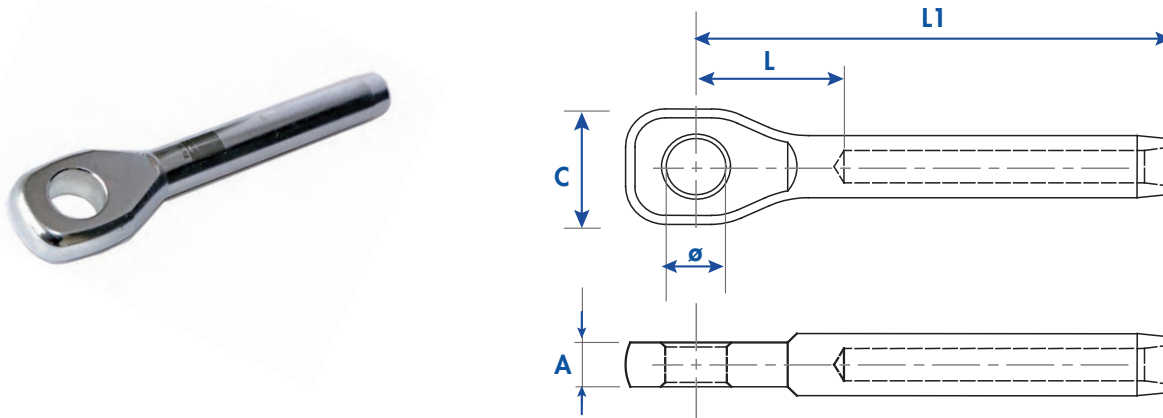


Ref N°	Dash	# Rod Ø mm	Inch	Break Load / Charge rupt. [kg]	lbs.	Weight / Poids kg/m	lbs./ft.	Length / Longueur [m/kg]
Rod SAF Coil								
R3000040440	-4	4.4	0.17	2140	4718	0.12	0.08	8.47
R3000060500	-6	5.0	0.20	2850	6283	0.16	0.11	6.49
R3000080570	-8	5.7	0.23	3700	8157	0.20	0.13	5.00
R3000100640	-10	6.4	0.25	4670	10296	0.25	0.17	3.95
R3000120710	-12	7.1	0.28	5670	12500	0.32	0.21	3.22
R3000150750	-15	7.5	0.30	6600	14551	0.35	0.25	2.63
R3000170840	-17	8.4	0.33	7757	17100	0.44	0.29	2.30
R3000220950	-22	9.5	0.38	10025	22100	0.56	0.38	1.80
R3000301110	-30	11.1	0.44	13600	30644	0.76	0.52	1.32
R3000401270	-40	12.7	0.50	18150	40014	1.00	0.67	1.01
R3000481430	-48	14.3	0.56	21800	48061	1.27	0.85	0.79

Non-contractual = Average values, subject to changes
 Non contractuel = Valeurs moyennes, sujettes à évolution

FITTINGS - EMBOUTS

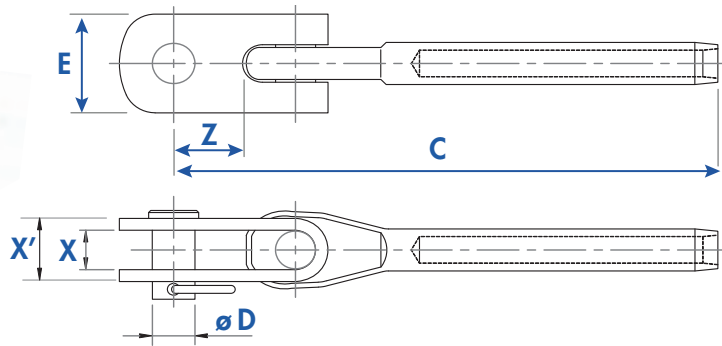
EYE TERMINAL / EMBOUT À ŒIL À SERTIR



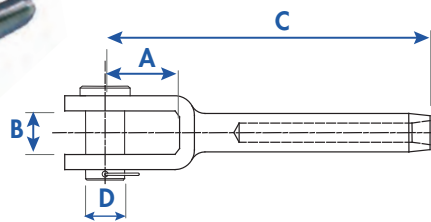
Ref N°	Wire Ø Ø Câble mm	Pin Ø Ø Axe mm	A mm	L mm	L1 mm	C mm	Breaking load Charge Rupture [kg]
R1100030070	3.0	6.4	5	17	57.0	14.5	1240
R1100040090	4.0	8.1	7	19	64.0	15.7	1510
R1100050100	5.0	9.6	7.5	24.5	76.0	18.4	2345
R1100050110	5.0	10.5	7.5	24.5	76.0	18.7	2345
R1100060110	6.0	11.2	10	29	89.0	24,4	5040
R1100060130	6.0	12.8	10	25	89.0	24,4	5040
R1100070130	7.0	12.8	10	30	103.0	25.0	6435
R1100080130	8.0	12.8	11.5	31	110.0	29.4	8073
R1100080160	8.0	16	13.5	35.5	110.0	32,8	7650
R1100100160	10.0	16	13,9	39.3	136.0	32.7	8570
R1100100190	10.0	19.1	16,1	42.5	136	36,3	8570
R1100120190	12.0	19.2	17.5	65	180.0	36.8	10345
R110012022B	12.0	22.3	19.1	66.5	180.0	45.4	10345
R1100127190	12.7	19.1	18	53	180.0	38.0	11405
R1100127220	12.7	22.3	21.1	65	180.0	44.0	11405
R1100140220	14.0	22.3	21.3	52.5	205.0	51.0	16550
R1100140250	14.0	25.6	21	61.4	196.0	51.0	15630
R1100160260	16.0	25.5	23.6	88	236.0	54.5	20172
R1100190290	19.0	28.7	27.2	67	275.0	62.1	23290
R1100220330	22.0	32.2	30.0	70	320.0	72.2	42990

Data subject to changes / Données sujettes à modification

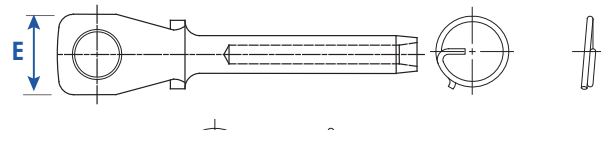
SWAGE TOGGLE FORK / EMBOUT À CHAPE ARTICULÉE À SERTIR



Ref	Wire Ø Ø Câble	ø D	Z	X	X'	C	E	Breaking load Charge Rupture
N°	mm	mm	mm	mm	mm	mm	mm	[kg]
R1120030060	3.0	6.3	17.5	7.5	11.5	80.0	15.0	1200
R1120040080	4.0	8.0	28.5	9.5	15.4	100.0	20.3	1570
R1120050100	5.0	9.5	33.5	12.2	20.2	115.0	25.4	2345
R1120060110	6.0	11.1	35.0	14.0	23.6	140.0	25.0	5040
R1120060130	6.0	12.7	39.0	14.4	24.5	142.5	30.0	5040
R1120070130	7.0	12.7	39.5	14.4	24.5	155.0	30.0	5400
R1120080130	8.0	12.7	39.0	14.4	24.5	160.0	30.0	7594
R1120080160	8.0	15.9	45.0	18.0	30	175.0	40.0	7650
R1120100160	10.0	15.9	39.0	17.5	30	203.0	40.0	8430
R1120120190	12.0	19.0	45.0	23.4	35,9	239.0	50.0	12500
R1120127190	12.7	19.0	45.0	23.4	35,9	240.0	50.0	13100
R1120127220	12.7	22.2	42.4	24.0	40,0	253.4	60.0	13400
R1120140220	14.0	22.0	55.0	26.9	43,2	285.0	54.8	16550
R1120160250	16.0	25.4	65.0	31.0	47	330.0	60.0	21350
R1120190270	19.0	28.5	70.0	33.5	54,2	380.0	70.0	30000
R1120220320	22.0	31.8	80.0	36.8	61.3	440.0	79.5	35250



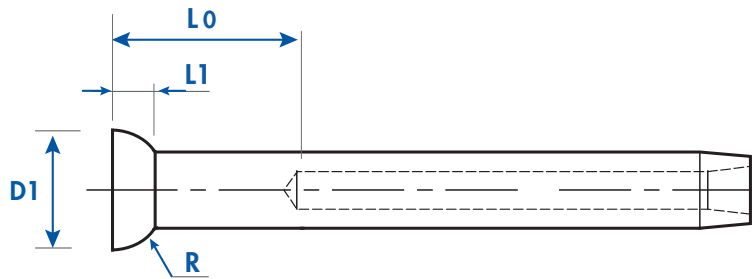
SWAGE FORK / CHAPE FIXE À SERTIR



Ref	Wire Ø Ø Câble	D (ø pin)	A	B	C	E	Breaking load Charge Rupture
N°	mm	mm	mm	mm	mm	mm	[kg]
R1130030060	3.0	6.3	13.5	7.0	68.3	14.0	1240
R1130040060	4.0	6.3	13.5	7.0	73.5	14.0	1570
R1130040080	4.0	8.0	17.0	8.2	79.6	18.0	1570
R1130050080	5.0	8.0	17.0	8.2	85.0	18.0	2440
R1130050100	5.0	9.5	20.0	10.0	90.0	21.0	2440
R1130060110	6.0	11.0	24.0	12.5	105.0	24.0	5251
R1130060130	6.0	12.7	25.0	14.4	109.0	27	5251
R1130070130	7.0	12.7	26.0	14.4	116.0	27.0	6701
R1130080130	8.0	12.7	32.0	17.0	135.0	29.0	8498
R1130100160	10.0	16	40	20	165	36	9520
R1130120190	12.0	19	50	21	190	39.5	10910

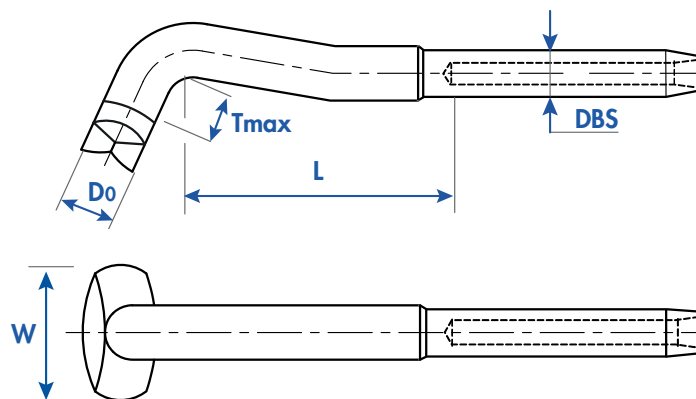
EMBOUTS - FITTINGS

SWAGE STEMBALL / EMBOUT À BOULE À SERTIR



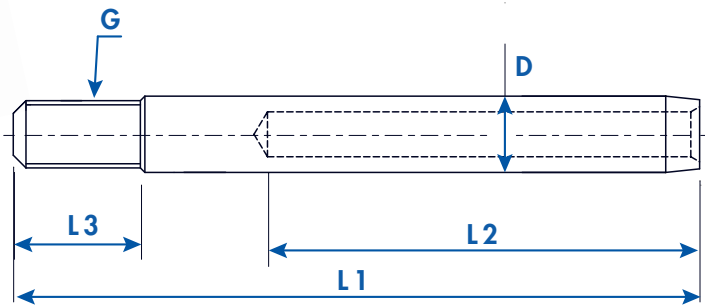
Ref N°	Wire Ø Ø Câble mm	L1 mm	D1 mm	L0 mm	R mm	Breaking load Charge rupture [kg]
R1110030140	3	4.5	14.0	9.0	7.0	1250
R1110040160	4	6.0	14.6	16.7	7.3	1570
R1110050190	5	6.7	17.0	23.0	8.8	2440
R1110050210	5	7.0	21.0	28.0	10.8	2180
R1110060200	6	8.6	20.0	27.0	10.8	5200
R1110060220	6	8.1	21.6	29.2	10.8	5250
R1110070220	7	9.3	21.6	27.4	10.8	6700
R1110080220	8	11.0	21.7	31.0	10.5	7500
R1110080280	8	10.7	27.5	32.8	13.8	8500
R1110100280	10	12.2	27.6	36.1	13.8	9523
R1110120270	12	12.7	27.6	46.1	13.8	10342
R1110140400	14	17.4	43.6	53.7	21.8	15630
R1110160500	16	19.8	49.6	61.2	24.8	20172

SWAGE T / EMBOUT EN T À SERTIR



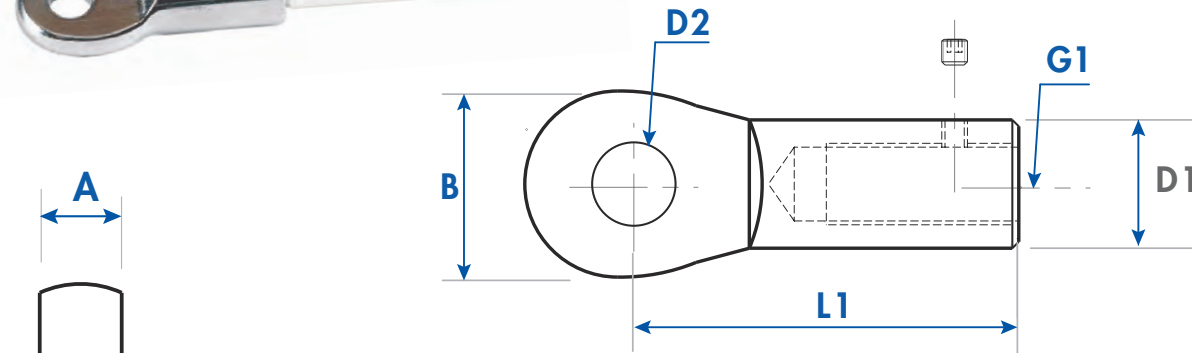
Ref N°	Wire Ø Ø Câble mm	Tmax mm	W mm	L mm	Do mm	DBS min mm	Breaking load Charge Rupture [kg]
R1140030000	3.0	6.0	14.3	33.5	6.35	6.22	1385
R1140040000	4.0	7.0	17.5	49.7	8.00	7.41	1845
R1140050000	5.0	7.0	20.5	55.3	9.50	8.99	2740
R1140060000	6.0	8.5	31.5	71.0	12.70	12.42	5715
R1140070000	7.0	16.0	32.5	68.7	14.30	14.17	7230
R1140080000	8.0	16.0	34.5	78.5	16.13	16.00	8800
R1140100000	10.0	12.0	39.0	83.3	17.86	17.73	9650

REMOVABLE EYE / OEIL DÉMONTABLE



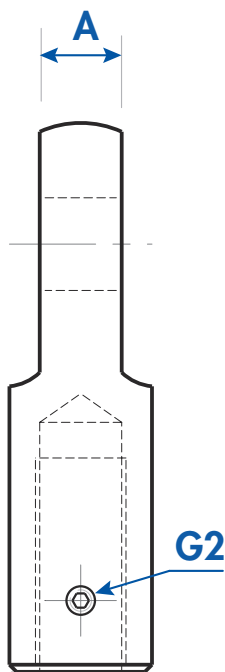
SHORT THREADED TERMINAL / EMBOUT FILETÉ COURT

Ref N°	G	Wire Ø Ø Câble	L1	L2	L3	D	Min. breaking load charge rupture min. [kg]
R1212050080	5/16"	5.0	82.0	51.0	15.0	9.00	2340
R1212050950	3/8"	5.0	82.0	51.0	20.0	9.00	2400
R1212060110	7/16"	6.0	110.0	64.0	30.0	12.58	4690
R1212060130	1/2"	6.0	104.0	64.0	30.0	12.58	5400
R1212070130	1/2"	7.0	117.0	70.0	30.0	14.20	4890
R1212080130	1/2"	8.0	125.0	81.0	30.0	16.00	6420
R1212100160	5/8"	10.0	160.0	100.0	40.0	17.80	9480
R1212120200	3/4"	12.0	205.0	134.0	50.0	20.00	10600
R1212130200	3/4"	12.7	205.0	134.0	50.0	21.40	13350
R1212140220	7/8"	14.0	245.0	155.0	60.0	25.00	17840



THREADED EYE / OEIL TARAUDÉ

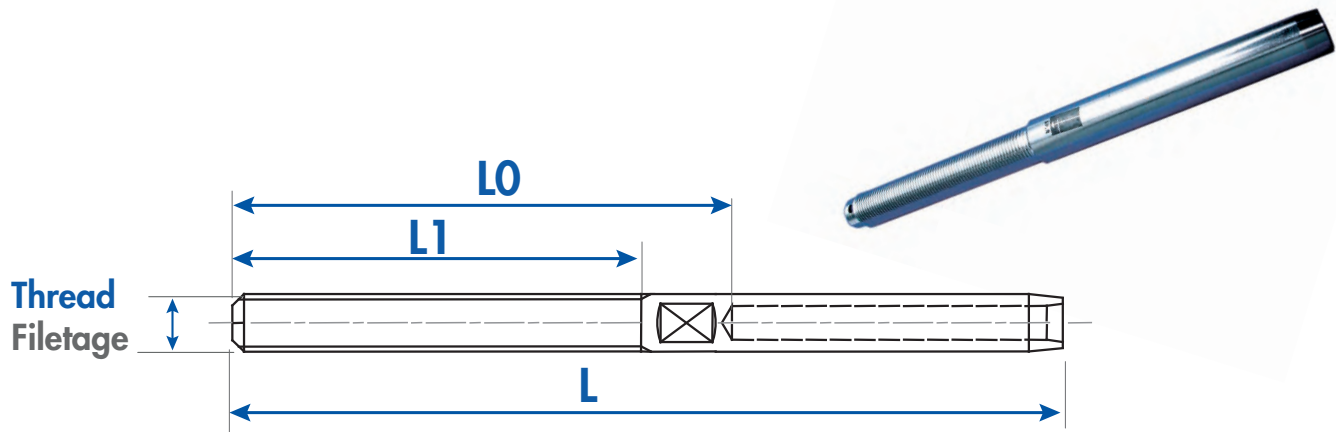
Ref N°	G1	G2	L1	A	B	D1	D2	Min. breaking load charge rupture min. [kN]
R1106080080	5/16"	M4	41.0	5.0	17.0	14.0	8.5	2200
R1106095100	3/8"	M4	43.0	6.0	23.0	15.0	9.8	3400
R1106110110	7/16"	M4	65.0	10.0	26.0	18.0	11.2	4580
R1106127130	1/2"	M4	70.0	11.5	29.0	20.0	13.0	5910
R1106160160	5/8"	M6	88.0	14.0	35.0	26.0	16.5	7440
R1106190200	3/4"	M6	106.0	18.0	40.0	30.0	19.5	13350
R1106222230	7/8"	M6	130.0	21.0	52.5	35.0	22.3	18450



FITTINGS - EMBOUTS



SWAGE STUD / EMBOUT FILETÉ À SERTIR



RIGHT HAND THREAD - FILETAGE À DROITE

Ref N° Right Thread Fileté droit	Wire Ø Câble Ø mm	Thread metric Filetage métrique	L1 mm	L0 mm	L mm	Breaking load Charge Rupture [kg]
R1240030060	3.0	M6	48	59.5	98	1190
R1230040060	4.0	M6	48	60	104	1190
R1230040080	4.0	M8	55	67	112	1570
R1240050080	5.0	M8	55	69	120	2200
R1240050100	5.0	M10	63	76.5	128	2440
R1240060100	6.0	M10	63	85	145	3500

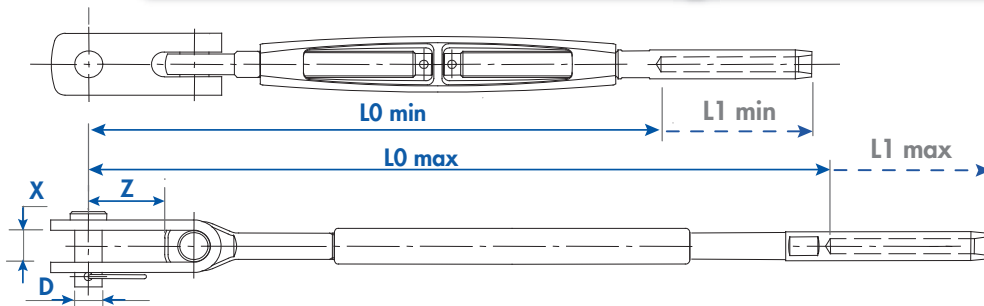
Other dimensions and thread: contact us / Autres dimensions et filetages : nous contacter.

Ref N° Right Thread Fileté droit	Wire Ø Câble Ø mm	Thread Filetage UNF	L1 mm	L0 mm	L mm	Breaking load Charge Rupture [kg]
R1210030060	3.0	1/4"	48	59.5	98	1240
R1210040080	4.0	5/16"	55	67	111	1570
R1210050080	5.0	5/16"	55	68.5	120	2360
R1210050100	5.0	3/8"	63	76.5	129	2440
R1210060110	6.0	7/16"	71	93	153	4316
R1210060130	6.0	1/2"	80	99	159	5250
R1210070130	7.0	1/2"	80	99.5	170	6341
R1210080130	8.0	1/2"	80	101	177	6341
R1210080160	8.0	5/8"	101	122	200	8500
R1210100160	10.0	5/8"	101	123	217	9523
R1210120190	12.0	3/4"	120	145	277	10920
R1210127220	12.7	7/8"	142	175	295	12037
R1210140220	14.0	7/8"	140	169	325	16550
R1210160250	16.0	1"	160	193	369	21360
R1210190300	19.0	1_1/8"	180	215	425	29670
R1210220320	22.0	1_1/4"	200	240	482	37250

Other dimensions and thread: contact us / Autres dimensions et filetages : nous contacter.

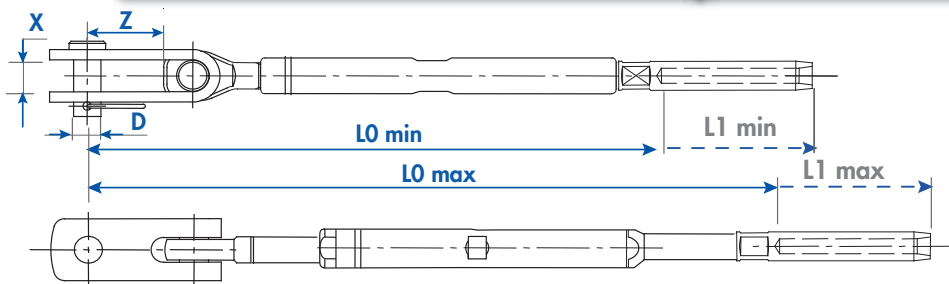
Data subject to changes / Données sujettes à modification

TOGGLE TURNBUCKLE - OPEN BODY / RIDOIR À CHAPE ARTICULÉE - CAGE OUVERTE



Ref N°	Wire Ø Câble Ø mm	Thread Filetage UNF	D mm	Z mm	X mm	L0min/max mm	L1min/max. mm	Break. load Charge Rupture [kg]
R1312030060	3	1/4"	6.4	18.5	7.5	155-218	193.5-256.5	1200
R1312040080	4	5/16"	7.9	28.5	9.0	191-262	235-306	1710
R1312050080	5	5/16"	7.9	28.5	9.0	193-270	244.5-321.5	2290
R1312050100	5	3/8"	9.5	33.5	11.0	218-298	270.5-350.5	2660
R1312060110	6	7/16"	11.0	34.0	13.0	252-343	312-403	4500
R1312060130	6	1/2"	12.7	39.0	14.0	277-366	337-426	4100
R1312070130	7	1/2"	12.7	34.0	13.0	250-353	320.5-423.5	4750
R1312080130	8	1/2"	12.7	39.0	14.0	274-384	350-460	5910
R1312080160	8	5/8"	15.9	47.9	17.5	341-461	419-539	8450
R1312100160	10	5/8"	15.9	47.9	17.5	335-478	429-572	9275
R1312100190	10	3/4"	19.1	53.5	21.5	403-548	498-643	9275
R1312120190	12	3/4"	19.0	53.5	21.5	399-561	531-693	10810
R1312127190	12.7	3/4"	19.0	53.5	21.5	400-570	520-690	12880
R1312127220	12.7	3/4"	22.2	69.9	24.0	416-592	536-712	13100
R1312140220	14	7/8"	22.2	67.5	24.0	474-668	630-824	16430
R1312160250	16	1"	25.0	63.0	28.0	529-769	705-945	16986

TOGGLE TURNBUCKLE - CLOSED BODY / RIDOIR CHAPE ARTICULÉE - CAGE FERMÉE

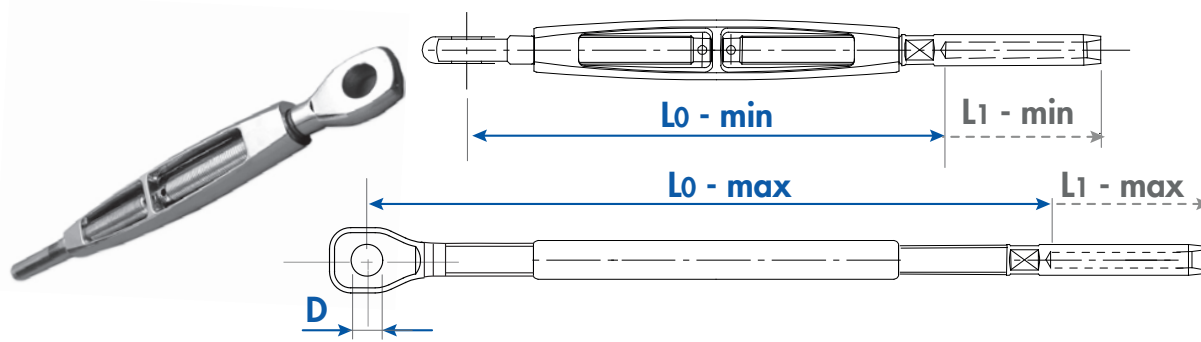


Ref N°	Wire Ø Câble Ø mm	Thread Filetage UNF	D mm	Z mm	X mm	L0min/max mm	L1min/max mm	Break. load Charge Rupture [kg]
R1322060130	6	1/2"	12.7	39.0	14.0	294-374	354-434	4100
R1322070130	7	1/2"	12.7	38.5	14.0	294-374	364.5-444.5	5650
R1322080130	8	1/2"	12.7	38.5	14.0	296-376	372-452	5910
R1322100160	10	5/8"	15.9	40.2	17.5	359-505	453-599	8665
R1322120190	12	3/4"	19.1	54.1	21.5	432-604	564-736	11225
R1322120220	12	7/8"	22.2	69.9	24.0	510-627	625-742	17585
R1322127190	12.7	3/4"	19.1	53.5	21.5	426-554	546-674	12880
R1322140220	14	7/8"	22.2	67.0	24.0	497-704	653-860	16570
R1322160250	16	1"	25.4	64.0	28.0	530-686	706-862	21350
R1322190280	19	1" 1/8	28.0	68.0	32.0	611-881	821-1091	28105
R1322220320	22	1" 1/4	31.8	82.0	36.5	625-810	867-1052	35185

* Other dimension: contact us / Autres dimensions : nous contacter.

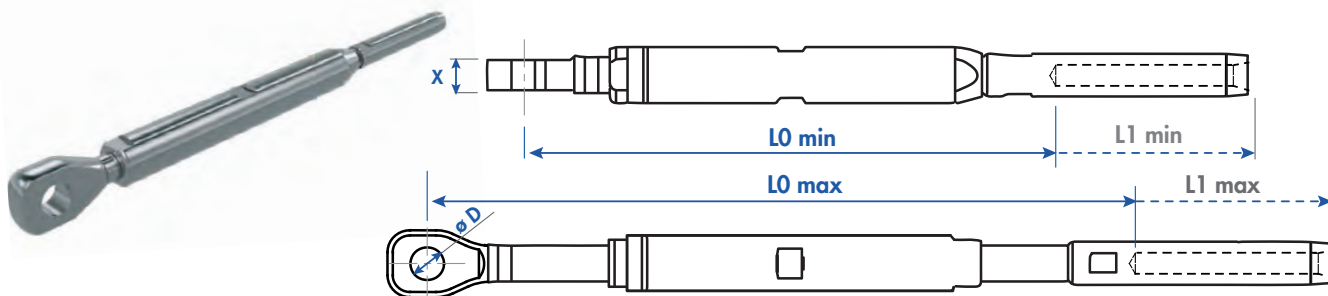
FITTINGS - EMBOUTS

EYE TURNBUCKLE (OPEN BODY) / RIDOIR À CŒIL (CAGE OUVERTE)



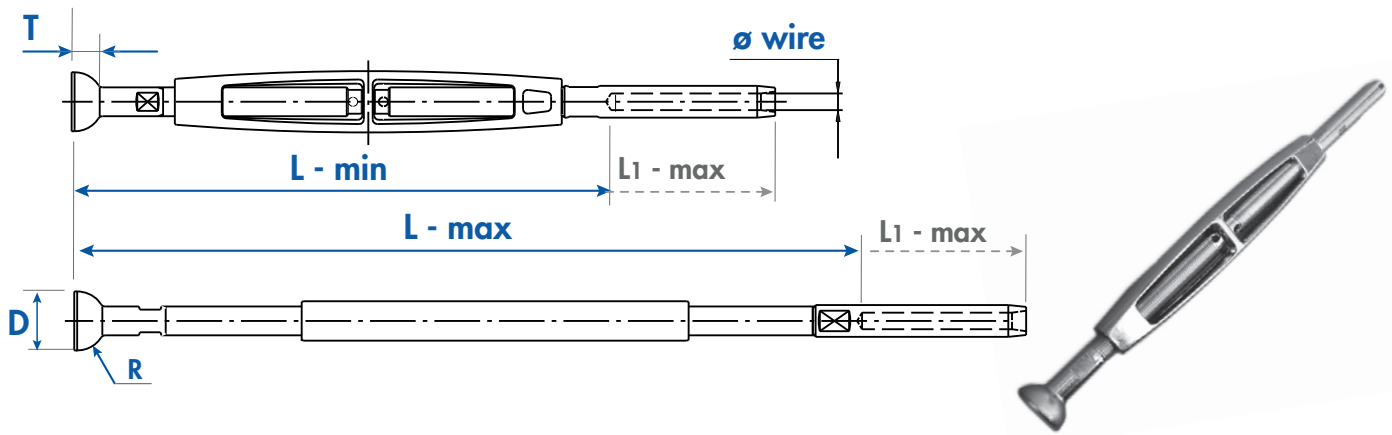
Ref N°	Wire Ø Câble Ø mm	Thread Filetage UNF	ø D mm	L0 min/max mm	L1 min/max. (Estimat.) mm mm	Breaking load Charge Rupture [kg]
R1310030060	3	1/4"	6.4	129-197	176-246	1200
R1310040080	4	5/16"	8.0	149-230	198-272	1710
R1310050100	5	3/8"	9.60	170-255	225-308	2660
R1310060110	6	7/16"	11.20	196-292	275-370	4375
R1310060130	6	1/2"	12.80	220-232	283-385	4100
R1310070130	7	1/2"	12.80	221-323	288-390	5650
R1310080130	8	1/2"	12.80	222-324	310-415	5910
R1310100160	10	5/8"	16.00	274-410	380-515	8845
R1310120190	12	3/4"	19.10	345-507	450-615	10812
R1310130190	12.7	3/4"	19.00	310-479	430-599	12880
R1310140220	14	7/8"	22.30	390-586	512-708	16430

EYE TURNBUCKLE (CLOSED BODY) / RIDOIR À CŒIL (CAGE FERMÉE)



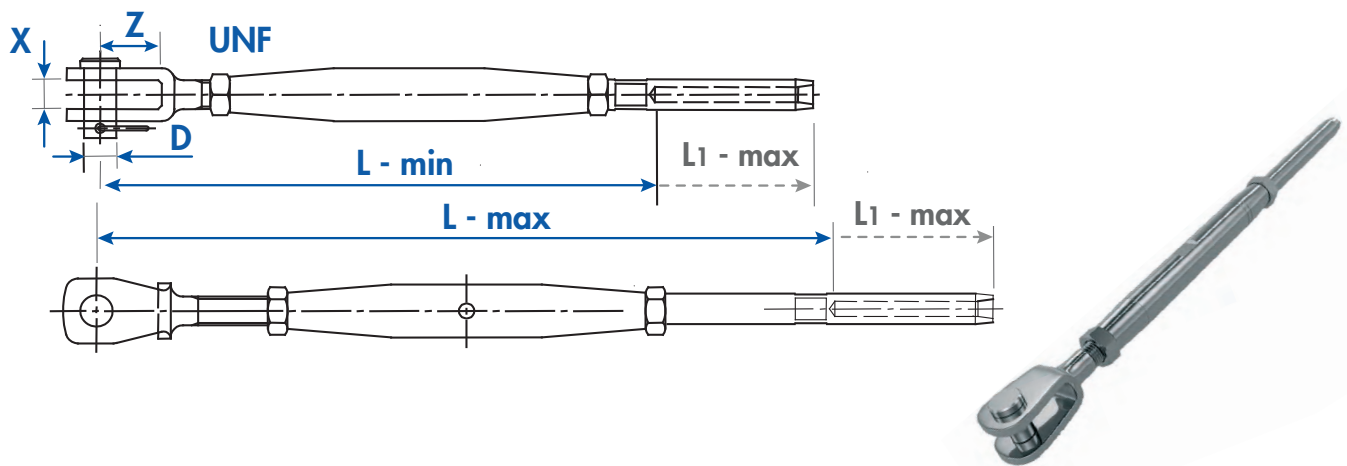
Ref N°	Wire Ø Câble Ø mm	Thread Filetage UNF	ø D mm	L0 min/max mm	L1 min/max. mm	Breaking load Charge Rupture [kg]
R1320060130	6	1/2"	12.6	241-321	298-378	4100
R1320070130	7	1/2"	14.3	241-321	305-385	5650
R1320080130	8	1/2"	16.1	243-323	323-403	5910
R1320100160	10	5/8"	17.9	300-407	400-507	8715
R1320120190	12	3/4"	19.0	355-505	467-517	10810
R1320120220	12	7/8"	19.0	355-505	509-559	10810
R1320127190	12.7	3/4"	19.0	334-544	467-677	12600
R1320140220	14	7/8"	22.2	375-570	537-732	16570
R1320160250	16	1"	25.5	443-593	590-740	21350
R1320190280	19	1"1/8"	28.0	495-765	705-975	33290
R1320190290	19	1"1/4"	28.6	495-765	705-975	33290
R1320220320	22	1"1/4"	32.0	535-820	800-1085	34770

STEMBALL TURNBUCKLE- CLOSED BODY / RIDOIR À BOULE À SERTIR - CAGE OUVERTE



Ref N°	Wire Ø Câble Ø mm	Thread Filetage UNF	D mm	R mm	T mm	L0min/max mm	L1min/max mm	Breaking load Charge Rupture [kg]
R1311030000	3	1/4"	14	7.8	5	132-197	170.5-235.5	1200
R1311040000	4	5/16"	17.8	9.8	7	168-244	212-288	1570
R1311050000	5	3/8"	17.8	9.8	7.3	184-266	236.5-318.5	2660
R1311060200	6	7/16"	21.5	10.8	9.9	220-317	280-377	4135
R1311060000	6	1/2"	25.8	12.9	12.3	228-334	288-394	4535
R1311070000	7	1/2"	25.8	12.9	12.3	230-336	300.5-406.5	5650
R1311080000	8	1/2"	25.8	12.9	12.3	230-336	306-412	5910
R1311100000	10	5/8"	27.5	13.8	14.1	301-441	395-535	9275
R1311120000	12	3/4"	27.5	14	11,5	333-495	465-627	10810

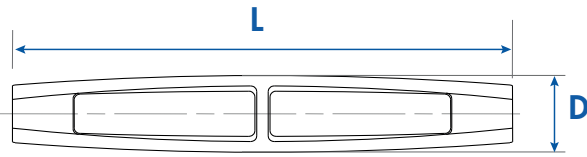
FIXED FORK - CLOSED BODY / CHAPE FIXE - CAGE FERMÉE



Ref N°	Wire Ø Câble Ø mm	Thread Filetage UNF	ø D mm	Z mm	X mm	L0min/max mm	L1min/max. mm	Min. break. load Charge rupture min. [kg]
R1513030060	3.0	1/4"	6.3	13.5	7.0	182-247	220.5-285.5	1240
R1513040060	4.0	1/4"	6.3	13.5	7.0	189-254	229-294	1470
R1513040080	4.0	5/16"	7.9	17.0	8.2	209-281	253-325	1570
R1513050080	5.0	5/16"	7.9	17.0	8.2	218-290	269.5-341.5	2360
R1513050100	5.0	3/8"	9.5	20.0	10.0	190-267	242.5-319.5	2440

Data subject to changes / Données sujettes à modification

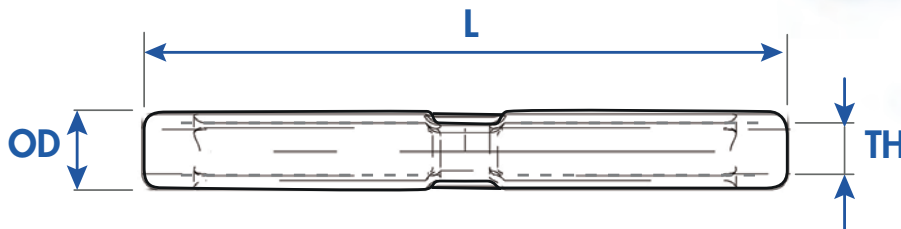
OPEN CHROME-BRONZE BODY / CAGE OUVERTE BRONZE CHROMÉ



CHROME BRONZE OPEN BODY - CAGE OUVERTE BRONZE CHROMÉ

Ref N°	Type Type	Thread Filetage UNF	SW mm	D mm	L mm	Breaking Load Charge rupt. [kg]
Open Body / Cage ouverte						
R1963006000	Chrome Bronze	1/4"	9.0	14	99	2300
R1963008000	Chrome Bronze	5/16"	11.0	17	116	3060
R1963010000	Chrome Bronze	3/8"	13.4	21	132	4500
R1963011000	Chrome Bronze	7/16"	15.1	24	149	5470
R1963013000	Chrome Bronze	1/2"	17.4	27	167	7065
R1963013000	Chrome Bronze	5/8"	20.7	32	209	9680
R1963020000	Chrome Bronze	3/4"	25.4	38	248	13500
R1963022000	Chrome Bronze	7/8"	29.8	45.3	290	19300

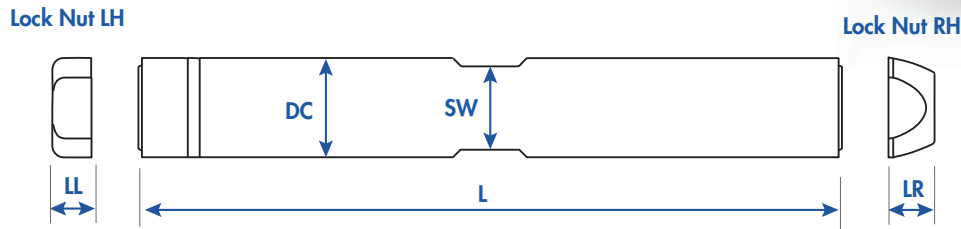
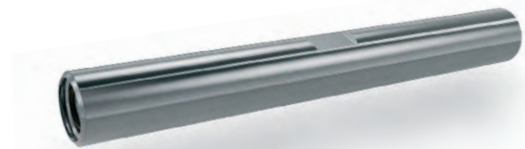
TURNBUCKLE BODY / CAGE RIDOIRS



CHROME BRONZE BODY - CAGE BRONZE CHROMÉ

Ref N°	Type Type	Thread Filetage UNF	Wire Ø Câble Ø mm	OD mm	L mm	Weight Poids [g]
Closed Body / Cage fermée						
R1943020000	CB	3/4"	12.0	28.5	248	626
R1943022000	CB	7/8"	14.0	35.0	278	955
R1943025000	CB	1"	16.0	38	332	1264
R1943028000	CB	1 1/8"	19.0	44.5	369	2250
Open Body / Cage ouverte						
R1963025000	GT	1"	16.0	43.6	356	1875
R1963028000	GT	1 1/8"	19.0	49.5	401	2731

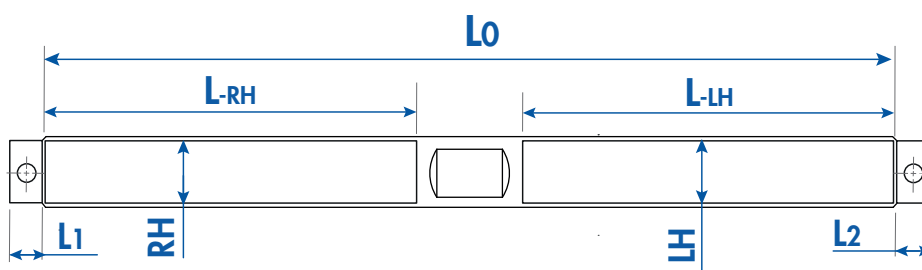
MACHINED TURNBUCKLE BODY / CAGE RIDOIRS USINÉS



STAINLESS STEEL CLOSED BODY MACHINED - CAGE FERMÉE INOX USINÉE

Ref N°	Type Type	Thread Filetage UNF	SW mm	DO mm	L mm	Breaking Load Charge rupt. [kg]
Closed Body / Cage fermée						
R1943010000	Bronze inserted	3/8"	12.0	15,6	130	3750
R1943013000	Bronze inserted	1/2"	14.0	19,9	130	6900
R1943016000	Bronze inserted	5/8"	16.0	24,6	207	10121
R194302000B	Bronze inserted	3/4"	19.0	32,7	207	17890
R194302200B	Bronze inserted	7/8"	19.0	36	207	20610
R194302500B	Bronze inserted	1"	16.0	43	301	28290
R194302800B	Bronze inserted	1 1/8"	19.0	46	360	31345
R194303200B	Bronze inserted	1 1/4"	19.0	46	327	39000

STUD DOUBLE THREADED / EMBOUT DOUBLE FILETAGE



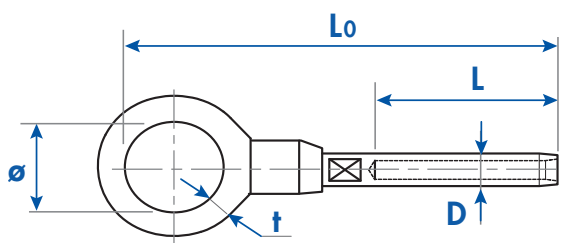
Ref N°	RH UNF	L-RH mm	L1 mm	LH mm	PITCH Pas n/1"	L-LH mm	L2 mm	L0 mm	Breaking Load Charge rupt. [kg]
R1907080310	5/16"	57	4	5/16"	24	57	4	123.5	2360
R1907110310	7/16"	72.5	5	7/16"	20	72.5	5	160	4690
R1907130310	1/2"	80	6	1/2"	20	80	6	180	6340
R1907160310	5/8"	102	6	5/8"	18	102	6	220	9800
R1907190310	3/4"	120	6	3/4"	16	120	6	260	14310
R1907220310	7/8"	143	8	7/8"	14	143	8	315	17620

Data subject to changes / Données sujettes à modification

FITTING - EMOBOUTS

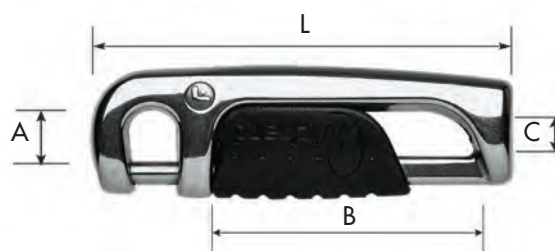


LIFELINE SINGLE EYE / OEIL À VISSER À SERTIR



Ref N°	Wire Ø Câble Ø mm	D mm	L mm	L ₀ mm	ø mm	t mm	Break. load Charge Rupture [kg]
R1103030000	3.0	6.35	32	90	24	6	1170
R1103040000	4.0	7.5	38	97.0	24	6	1600
R1103050000	5.0	9.1	45	106.0	24	6	2200

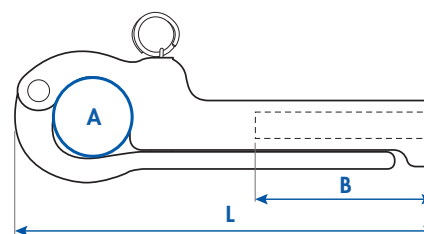
LIFELINE HOOK / CROC FILIÈRE



AUTOMATIC LOCKING - A FERMETURE AUTOMATIQUE

Ref N°	Long mm	A mm	B mm	C mm	Breaking load Charge Rupture [Kg]
R1771000000	91	11	55	M6 x 100	1500
R1771000001	91	11	55	M8 x 125	1500

PELICAN HOOK / CROC PELICAN

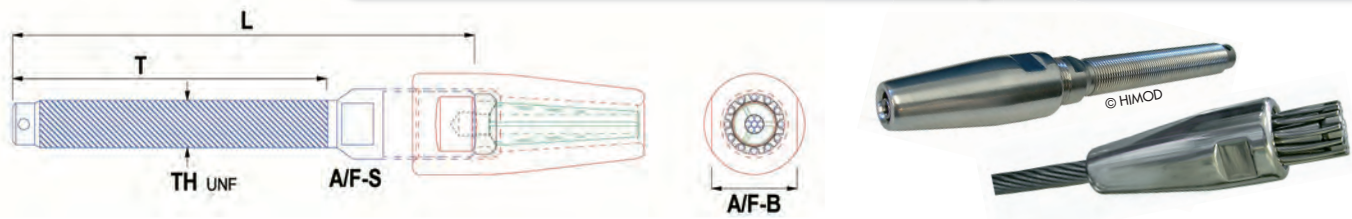


STANDARD LOCKING - AVEC REPRISE DE TENSION

Ref N°	Long mm	A mm	B mm	C mm	Tension mm	Break. load Charge Rupture [Kg]
R1170040080	100	16	48	M8 x 125	22	2300

Data subject to changes / Données sujettes à modification

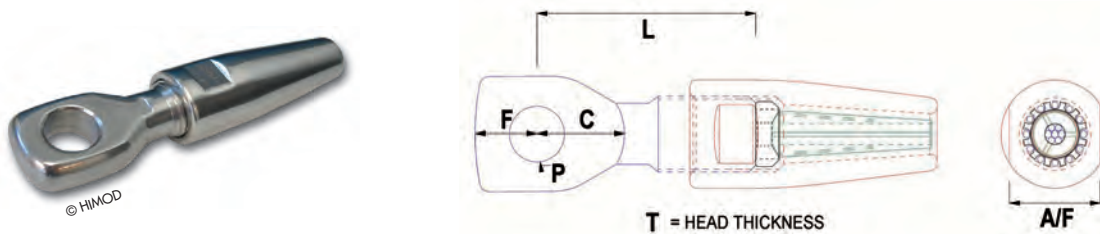
SWAGELESS FITTING COMPRESSION STUD / EMBOUT FILETÉ MANUEL



Ref N°	W mm	TH	T mm	L mm	A/F-S mm	A/F-B mm	Weight Poids [g]
R1214050100	5	3/8"	68	91	9	14	75
R1214060110	6	7/16"	75	101	11	17	130
R1214060130	6	1/2"	90	119	11	17	145
R1214070130	7	1/2"	90	121	14	20	199
R1214080130	8	1/2"	90	129	16	22	297
R1214100160	10	5/8"	100	143	17	26	458
R1214120190	12	3/4"	120	173	22	32	892

14 and + /et + Contact us Nous consulter

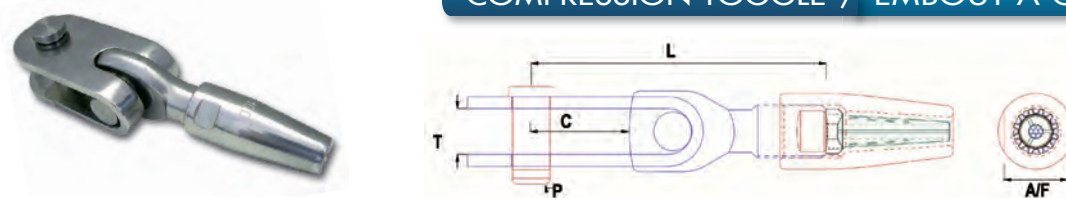
SWAGELESS FITTING COMPRESSION EYE / EMBOUT A CŒIL MANUEL



Ref N°	W mm	P mm	C mm	L mm	T mm	A/F mm	Weight Poids [g]
R1105040080	4	8	14	28	6.5	11	39
R1105050100	5	9.5	17	32	7.8	14	65
R1105060110	6	11.1	20	38	9.5	17	126
R1105060130	6	12.7	23	43	11.5	17	140
R1105070130	7	12.7	23	45	11.5	20	165
R1105080130	8	12.7	23	48	11.5	22	235
R1105100160	10	16	29	59	15	26	462
R1105120190	12	19	34	79	17.5	32	912

14 and + /14 et + Contact us Nous consulter

COMPRESSION TOGGLE / EMBOUT À CHAPE MANUEL



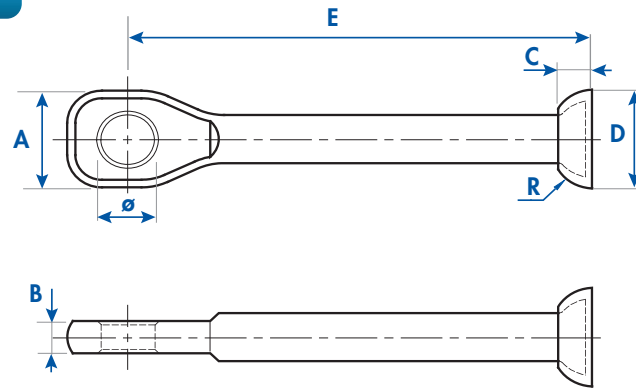
Ref N°	W mm	P mm	C mm	T mm	L mm	A/F mm	Weight Poids [g]
R1125040080	4	8	18	9	53	11	71
R1125050100	5	9.5	21	11	64	14	125
R1125060110	6	11	25	13	78	19	258
R1125060130	6	12.7	27	15	85	19	310
R1125070130	7	12.7	27	15	89	20	32
R1125080130	8	12.7	27	15	92	22	397
R1125100160	10	16	36	19	116	26	800
R1125120190	12	19	45	22	157	32	1242

14 and + /14 et + Contact us Nous consulter

ACCESSORIES - ACCESSOIRES

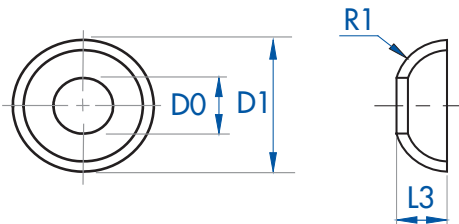


STEMBALL EYE / EMBOUT BOULE-ŒIL



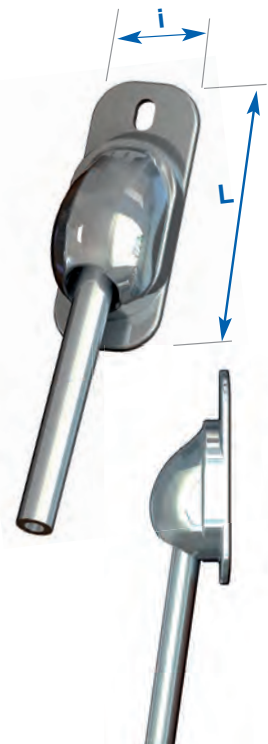
Ref N°	Wire Ø Câble Ø mm	Ø mm	A mm	B mm	C mm	D mm	E mm	R mm	Breaking load Charge Rupture [kg]
R1952050260	5	9.6	20	9	9	26	96	10	3600
R1952070260	6 & 7	12.8	24	10	11.0	26	112	15	5100
R1952080340	7 & 8	16	30	13	9.2	34	140	15	7400

STEMBALL CUP / COUPELLE



Ref N°	Wire Ø Câble Ø mm	D ₀ mm	D ₁ mm	L ₃ mm	R ₁ mm	Weight Poids [kg]
R1955030160	3	8.8	15.5	4.0	7.0	0.01
R1955040210	4	9	21	8.6	10.6	0.01
R1955050260	4-5	13	26	9.0	10.0	0.01
R1955070260	6-7	16	26	8.5	10.0	0.01
R1955080340	8-10	20	34	9.2	15.0	0.02
R1955100340	10-12	22	34	9.2	15.0	0.01

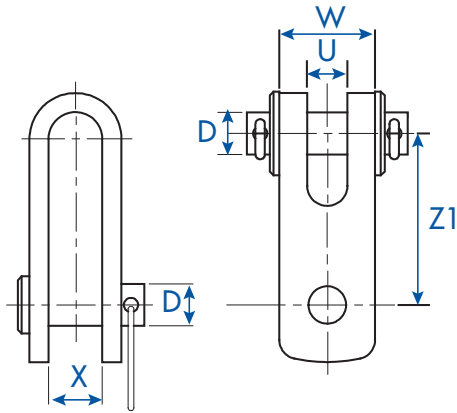
BACKING SHELLS / COQUILLES



Backing shells Coquilles	Ø wire Ø câble	L x i mm	Sparc. mast cut Entailles Sparc.	Stemball Ø Ø Boule
R1954040000	4	71,2 x 33	31001000040	Ø14,6
R1954050000	5	70,5 x 29,4	31001000050	Ø17,5
R1954060000	6	79 x 34	31001000060	Ø20
R1954070000	7	107,7 x 40,5	31001000070	Ø21,5
R1954080000	8	119 x 58	31001000080	Ø27
R1954100000	10 & 12	133 x 63	31001000100	Ø27

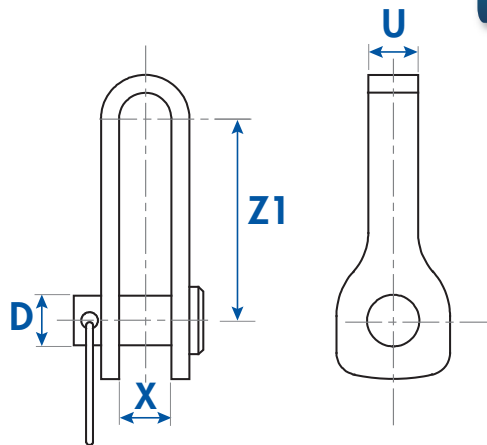
Data subject to changes / Données sujettes à modification

DOUBLE JAW TOGGLE / CAVALIERS AVEC AXES



Ref N°	Wire Ø Câble Ø mm	D mm	U mm	W mm	X mm	Z1 mm	Breaking load Charge Rupture [kg]
R1953040080	4.0	7.9	8.1	20	9.0	37.0	3030
R1953050100	5.0	9.5	8.9	25	11.0	44.0	5950
R1953060110	6.0	11.1	11.1	25	13.0	47.0	6000
R1953070130	6-7-8	12.7	13.0	30	15.0	41.0	7800
R1953100160	10.0	15.9	15.1	40	17.5	56.0	12860
R1953120190	12.0	19.0	18.5	50	22.0	66.0	16560
R1953140220	14.0	22.0	25.0	60	25.0	79.0	20310
R1953160250	16.0	25.0	25.0	60	28.0	94.0	24530
R1953190290	19.0	28.0	28.5	70	32.0	99.0	29480
R1953220320	22.0	32.0	32.0	80	35.0	119.0	43370

STRAP TOGGLE / CARDAN

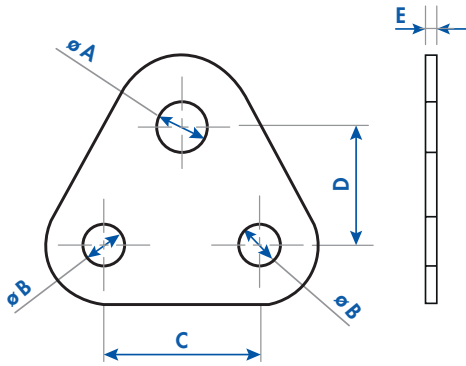


Ref N°	Wire Ø Câble Ø mm	D mm	X mm	Z1 mm	U mm	Breaking load Charge Rupture [kg]
R1962040080	4.0	7.9	9	36	8	2140
R1962050100	5.0	9.5	11	40	10	3300
R1962060110	6.0	11.1	12.5	45	11	4030
R1962070130	6.0-7.0-8.0	12.7	14.5	50	12.5	7060
R1962100160	10.0	15.9	18.3	60	15.5	11800
R1962120190	12.0	19.1	21.5	70	18.5	14100
R1962140220	14.0	22.2	25.2	80	23.3	22380
R1962160250	16.0	25.4	29.0	90	25.0	28950
R1962190280	19.0	28.6	32.2	104	29.6	34300
R1962220320	22.0	31.8	35.5	115	32.8	47750

ACCESSORIES - ACCESSOIRES

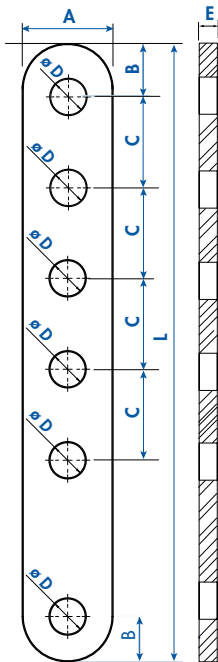


TRIANGULAR PLATE / LATTE TRIANGLE



Ref N°	Set of link plates for backstay Jeu de lattes pour pataras		Ø A mm	Ø B mm	C mm	D mm	E mm
	Ø top wire Ø câble haut	Ø bottom wire Ø câble bas					
R1951050100	Ø5	Ø4	10	8,5	35	30	2,5
R1951060130	Ø6	Ø5	12.7	10	35	30	3
R1951070130	Ø7	Ø6	12.7	12.7	45	35	4
R1951080130	Ø8	Ø7	12.7	12.7	45	35	4
R1951100160	Ø10	Ø8	16,5	12.7	45	35	5
R1951120190	Ø12	Ø10	19	16,5	60	45	5

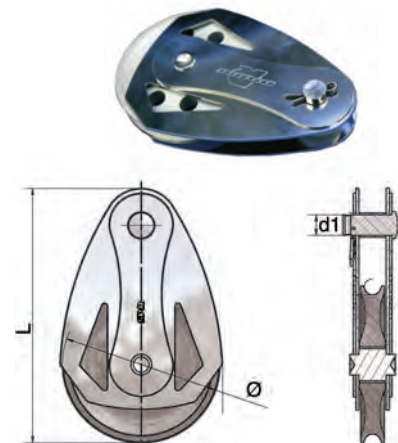
LINK PLATE / LATTE RIDOIR



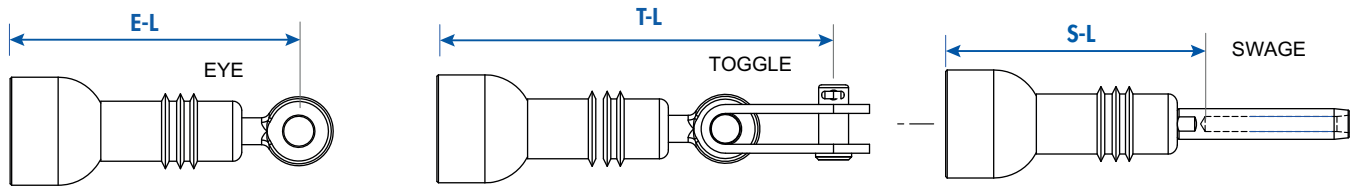
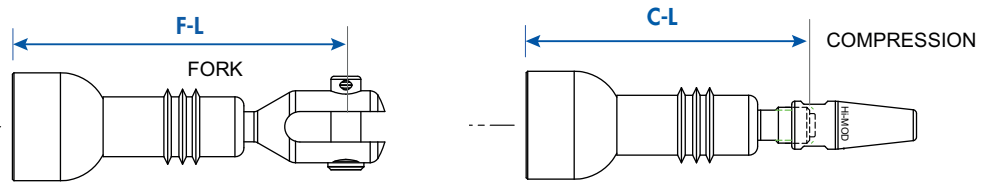
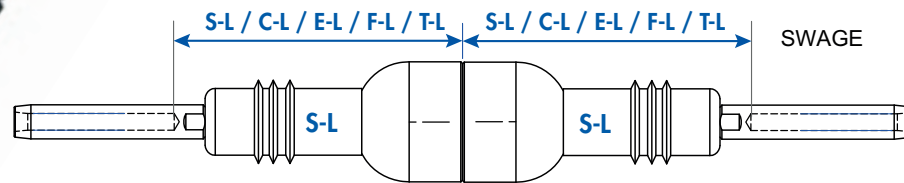
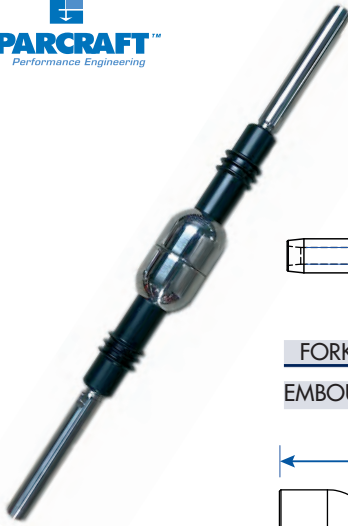
Ref N°	Ø Wire Ø Câble mm	A mm	B mm	C mm	Ø D (Pin) Ø Axe mm	L mm	Thickness E Épaisseur E mm
R1950040080	Ø 4	20	14	18	8.0	140	2.5
R1950050100	Ø 5	20	14	18	9.5	140	2.5
R1950060130	Ø 6	30	20	26	12.7	195	3
R1950070130	Ø 7	30	20	26	12.7	195	4
R1950080130	Ø 8	30	20	26	12.7	195	4
R1950100160	Ø 10	40	25	33	16.0	250	4
R1950120190	Ø 12	50	30	40	19	290	5

S.S. WIRE BLOCK / POULIE CÂBLE INOX

Ref N°	Wire Ø Câble Ø mm	Sheav Ø Réa Ø mm	d1 mm	L mm	Safe working load Charge Travail [kg]
R1972050000	4-5	50	8	75	1000
R1972060000	6-7	60	8	93	1500
R1972090000	8	80	10	120	2750
R1972100000	10	100	14	150	4000
R1972120000	12	120	16	180	6000



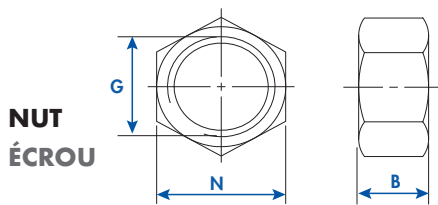
FAIL SAFE INSULATOR / ISOLATEUR DE GRÉEMENT



Ref (SWAGE S.L.*) N°	Wire Ø Câble Ø mm	Pin Ø Axe Ø mm	Hole Ø Trou Ø mm	C-L mm	E-L mm	S-L mm	F-L mm	T-L mm
R1160060000*	6.0	11	11.3	110	107	101	121	147
R1160070000*	7.0	12.7	13	131	129	120	142	169
R1160080000*	8.0	14	14.3	153	151	140	164	212.2
R1160100000*	10.0	16	16.2	159	155	142	176	212
R1160120000*	12.0	19	19.05	192	180	168	207	258

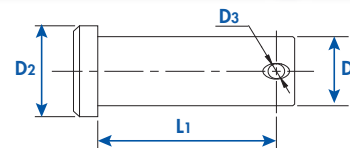
* S-L / S-L isolator on stock - Other models, contact us / * Isolateur S-L / S-L sur stock, autres modèles nous contacter.

NUT & CLEVIS PIN / ÉCROU & AXE



Ref N°	N mm	B mm	G Right UNF UNF Droit
R1966200060	8	4.0	1/4"
R1966200080	10	5.0	5/16"
R1966200100	13	6.5	3/8"
R1966200110	14	8.5	7/16"
R1966200120	17	8.0	1/2"
R1966200160	22	11.0	5/8"
R1966200200	24	13.0	3/4"
R1966200220	30	16.0	7/8"
R1966200250	32	18.0	1"

CLEVIS PIN
AXE

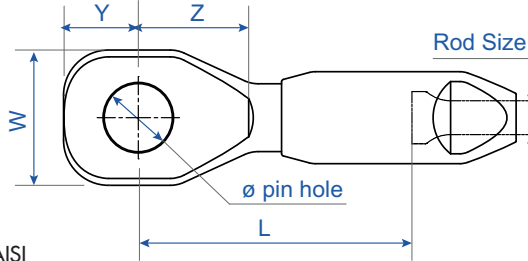


Ref N°	D1 mm	L1 mm	D2 mm	D3 mm	Weight Poids [g]
R1958060160	6.3	15.5	9.0	2.5	10
R1958080190	7.9	19.0	11.0	3.2	10
R1958095220	9.5	22.0	13.0	3.2	20
R1958110270	11.1	26.5	15.0	3.2	30
R1958127270	12.7	27.5	16.0	4.0	40
R1958127310	12.7	31.5	16.0	4.0	40
R1958160380	15.9	39.0	20.0	4.0	80
R1958190410	19.0	38.5	23.0	5.3	110
R1958220490	22.0	51.1	25.4	5.3	190
R1958254540	25.4	55.5	30.0	5.3	260
R1958285780	28.5	78.0	39.5	5.3	470

ROD RIGGING - GRÉEMENT ROD



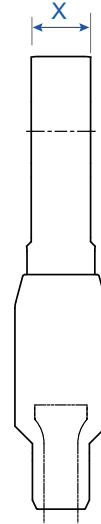
ROD EYE / EMBOUT ŒIL



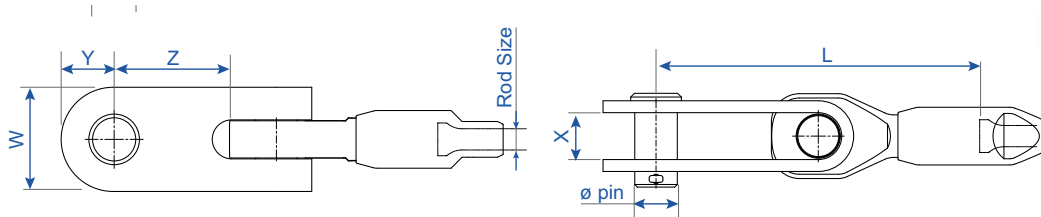
Material: Acidproof Stainless Steel / Matériau : Inox 316 AISI

Ref N°	# Rod Dash	Ø Rod mm	Ø Pin Hole Inch	Ø Trou Axe mm	W mm	X mm	Y mm	Z mm	L mm	Break Load Charge rupt. [kg]
R3100004100	-4	4.4	3/8"	9.6	20.0	8.5	10.0	17.0	54.0	2650
R3100006110	-6	5.0	7/16"	11.2	24.0	10.0	13.0	19.0	57.0	4065
R3100008110	-8	5.7	7/16"	11.2	24.0	10.0	13.0	18.0	57.0	4385
R3100010130	-10	6.4	1/2"	12.8	28.0	11.0	15.0	21.5	57.0	5730
R3100012130	-12	7.1	1/2"	12.8	28.0	11.5	15.0	21.5	57.0	7000
R3100012160	-12	7.1	5/8"	16.0	32.8	14.0	18.0	24.5	77.0	6950
R3100015160	-15	7.5	5/8"	16.0	32.8	14.0	18.0	24.5	76.0	7400
R3100017160	-17	8.4	5/8"	16.0	34.5	14.0	18.0	24.5	76.0	9700
R3100017190	-17	8.4	3/4"	19.1	37.5	17.0	19.5	32.2	85.0	10650
R3100022190	-22	9.5	3/4"	19.1	36.0	18.0	21.0	29.5	85.0	12450
R3100030220	-30	11.1	7/8"	22.3	44.0	19.5	26.0	35.0	100.0	17000
R3100040250	-40	12.7	1"	25.5	49.5	22.0	27.5	39.5	108.0	21300
R3100048280	-48	14.3	1 1/8"	28.7	57.0	25.0	31.5	44.1	112.0	27160

Other dimensions and thread: contact us / Autres dimensions et filetages : nous contacter.



ROD JAW TOGGLE / CHAPE ARTICULÉE



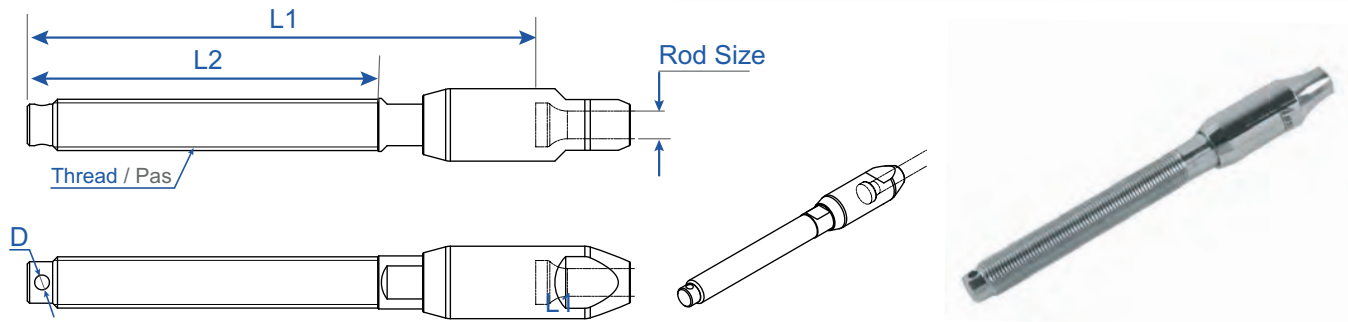
Material: Acidproof Stainless Steel / Matériau : Inox

Ref N°	# Rod Dash	Ø Rod mm	Ø Pin Inch	Ø Axe mm	W mm	X mm	Y mm	Z mm	L mm	Break Load Charge rupt. [kg]
R3120004100	-4	4.4	3/8"	9.5	25.0	11.0 ± 0.5	12.9	33.5	95.0	3130
R3120006110	-6	5.0	7/16"	11.1	25.0	13.0 ± 0.5	12.9	34.0	101.0	4065
R3120008110	-8	5.7	7/16"	11.1	25.0	13.0 ± 1.0	12.9	34.0	101.0	4385
R3120010130	-10	6.4	1/2"	12.7	30.0	14.0 ± 1.0	15.4	38.0	113.0	5730
R3120012130	-12	7.1	1/2"	12.7	30.0	14.0 ± 1.0	15.4	38.0	113.0	7000
R3120012160	-12	7.1	5/8"	15.9	40.0	17.5 ± 1.0	20.6	34.5	128.5	7985
R3120015160	-15	7.5	5/8"	15.9	40.0	17.5 ± 1.0	20.6	34.5	128.5	7985
R3120017160	-17	8.4	5/8"	15.9	40.0	17.5 ± 1.0	20.6	37.7	129.0	8360
R3120022190	-22	9.5	3/4"	19.1	50.0	21.5 ± 1.0	25.6	54.5	234-315	12210
R3120030220	-30	11.1	7/8"	22.2	60.0	24.0 ± 1.0	30.6	46.0	167.5	17000
R3120040250	-40	12.7	1"	25.4	60.0	28.0 ± 1.0	30.6	65.5	184.0	21300
R3120048290	-48	14.3	1 1/8"	28.6	70.0	31.5 ± 1.0	35.6	70.5	208.5	27160

Other dimensions and thread: contact us / Autres dimensions et filetages : nous contacter.



ROD THREADED STUD / EMBOUT FILETÉ



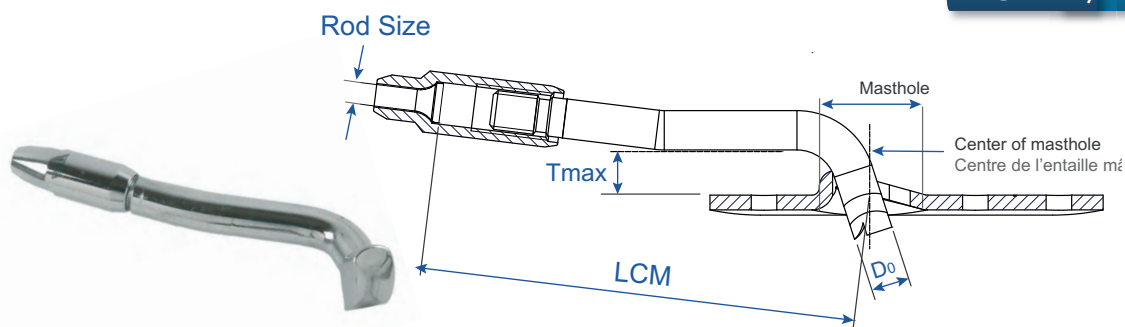
RIGHT HAND THREAD - FILETAGE À DROITE

Material: Acidproof Stainless Steel / Matériau : Inox

Ref	# Rod Ø		Thread	D	L1	L2	Break Load
N°	Dash	mm	Pas UNF	mm	mm	mm	Charge rupt. [kg]
R3210004100	-4	4.4	3/8"-24	3.3	100.0	64.0	3110
R3210006110	-6	5.0	7/16"-20	3.3	112.0	76.0	4065
R3210008110	-8	5.7	7/16"-20	3.3	111.0	76.0	4435
R3210008130	-8	5.7	1/2"-20	4.0	118.0	80.0	5640
R3210010130	-10	6.4	1/2"-20	4.0	119.0	80.0	5640
R3210012130	-12	7.1	1/2"-20	4.0	116.0	80.0	7960
R3210012160	-12	7.1	5/8"-18	4.0	152.0	101.5	7990
R3210015160	-15	7.5	5/8"-18	4.0	152.0	101.5	7990
R3210017160	-17	8.4	5/8"-18	4.0	151.0	101.5	9500
R3210017190	-17	8.4	3/4"-16	4.0	178.0	120.5	10650
R3210022190	-22	9.5	3/4"-16	4.0	178.0	120.5	13155
R3210030220	-30	11.1	7/8"-14	4.0	215.0	143.5	16715
R3210040250	-40	12.7	1"-12	5.0	242.4	166.5	21280
R3210048280	-48	14.3	1 1/4"-12RH	5.0	246.6	158.5	27310

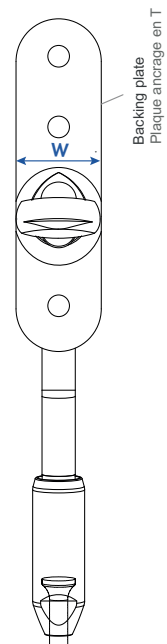
Other dimensions and thread: contact us / Autres dimensions et filetages : nous contacter.

ROD T / EMBOUT EN T



Ref	# Rod Ø		W	D ₀	Tmax	LCM	Break Load
N°	Dash	mm	mm	mm	mm	mm	Charge rupt. [kg]
R3140004000	-4	4.4	20.5	9.5	8.9	96.0	3431
R3140006000	-6	5.0	31.5	12.7	9.2	116.0	4505
R3140008000	-8	5.7	31.5	12.7	9.2	114.0	4505
R3140010000	-10	6.4	32.5	14.8	13.4	130.0	6114
R3140012000	-12	7.1	34.5	16.8	14.8	135.0	9445
R3140017000	-17	8.4	39.0	17.9	14.7	143.0	9445

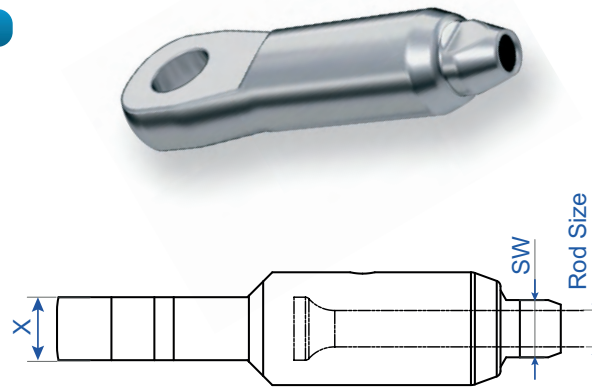
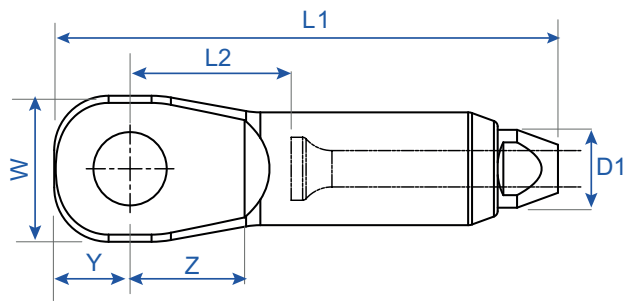
Material: Acidproof Stainless Steel / Matériau : Inox



ROD RIGGING - GRÉEMENT ROD



ROD FURLING EYE / ŒIL POUR ENROULEUR

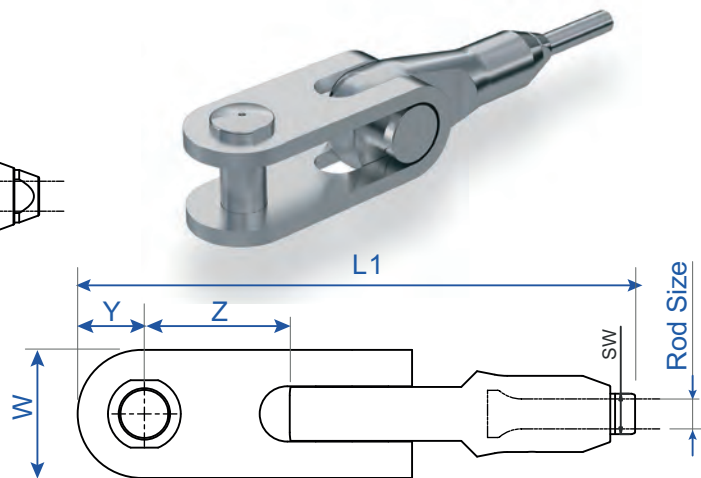
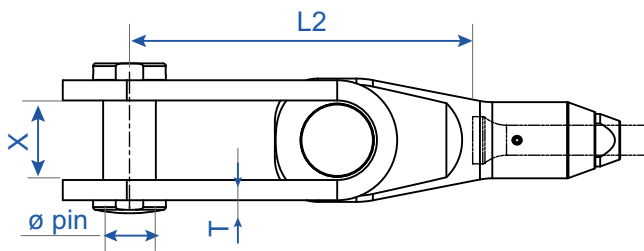


Material: Acidproof Stainless Steel with high mechanical strength / Matériau : Inox haute résistance

Ref	# Rod Ø	Ø Pin Ø Axe	W	X	Y	Z	D ₁	L1	L2	SW	Break Load Charge rupt. [kg]		
N°	Dash mm	Inch mm	mm	mm	mm	mm	mm	mm	mm	mm			
R3103008110	-8	5.7	7/16"	11.1	22.0	10.0	11.5	16.7	12.3	74	26.3	7.0	5153
R3103010130	-10	6.4	1/2"	12.7	26.0	11.0	13.5	19.1	13.9	82.0	29.6	8.0	7018
R3103012130	-12	7.1	1/2"	12.7	26.0	11.0	13.5	19.1	13.9	83.0	29.6	9.0	7018
R3103017160	-17	8.4	5/8"	15.9	34.0	14.0	18.7	23.9	15.9	108.1	42.4	11.0	10100
R3103022190	-22	9.5	3/4"	19.1	36.1	17.0	18.6	29.0	20.0	119.0	38.9	13.0	13286
R3103030220	-30	11.1	7/8"	22.2	43.0	19.5	22.0	34.0	21.5	132.0	43.9	14.0	17860
R3103040250	-40	12.7	1"	25.4	49.0	22.0	25.0	39.0	23.1	149.0	53.4	16.0	23865
R3103048280	-48	14.3	1 1/8"	28.6	53.8	25.0	27.4	43.0	26.3	164.0	56.5	18.0	29020

D is the max. diameter on the furling Socket Diameter / D est le diamètre extérieur maxi. de la socket.

ROD FURLING TOGGLE / CHAPE ARTICULÉE POUR ENROULEUR



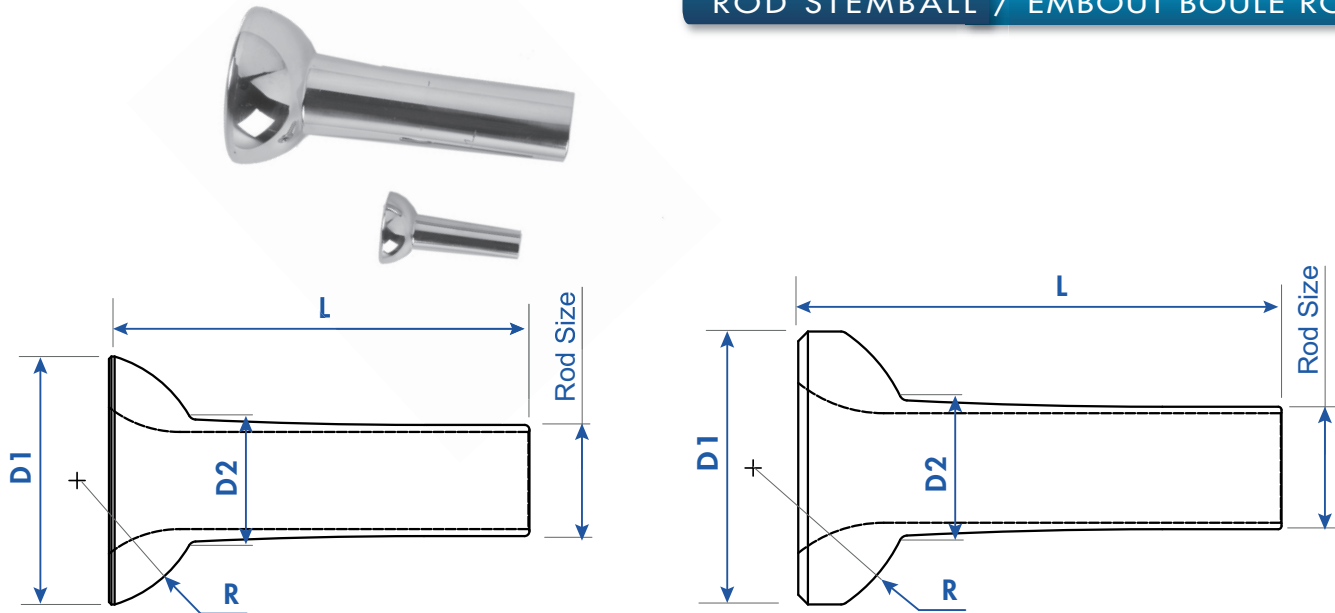
Material: Acidproof Stainless Steel with high mechanical strength / Matériau : Inox haute résistance

Ref	# Rod Ø	Ø Pin Ø Axe	W	X	Y	Z	D	L1	L2	SW	Break Load Charge rupt. [kg]		
N°	Dash mm	Inch mm	mm	mm	mm	mm	mm	mm	mm	mm			
R3121010130	-10	6.4	1/2"	12.7	30.0	14.0 ± 1.0	15.4	39.5	13.9	138.0	83.0	8.0	7020
R3121012130	-12	7.1	1/2"	12.7	30.0	14.0 ± 1.0	15.4	39.5	13.9	140.0	81.9	9.0	7020
R3121017160	-17	8.4	5/8"	15.9	40.0	17.5 ± 1.0	20.6	48.0	15.9	172.0	97.0	11.0	10600
R3121022190	-22	9.5	3/4"	19.1	50.0	21.5 ± 1.0	25.6	56.7	20.0	201.5	114.0	13.0	13285
R3121030220	-30	11.1	7/8"	22.2	60.0	24.0 ± 1.0	30.6	69.0	21.5	233.0	134.8	14.0	17700
R3121040250	-40	12.7	1"	25.4	60.0	28.0 ± 0.5	30.6	68.0	23.1	249.0	146.3	16.0	23864
R3121048280	-48	14.3	1 1/8"	28.6	70.0	31.5 ± 0.5	35.6	74.6	26.3	274.0	158.5	18.0	29020

Other dimensions and thread: contact us / Autres dimensions et filetages : nous contacter.

D is the max. diameter on the furling Socket Diameter / D est le diamètre extérieur maxi. de la socket.

ROD STEMBALL / EMBOUT BOULE ROD



Material: Acidproof Stainless Steel with high mechanical strength / Matériau : Inox haute résistance

Ref	# Rod Ø	D1	D2	L	R	Weight	
N°	Dash mm	mm	mm	mm	mm	Poids [kg]	
R3111004120	-4	4.4	12.1	8.3	20.0	7.5	0.01
R3111006140	-6	5.0	14.0	8.8	25.0	8.0	0.01
R3111006170	-6	5.0	17.3	10.9	30.0	9.5	0.02
R3111006210	-6	5.0	21.4	9.4	33.0	10.8	0.02
R3111008170	-8	5.7	17.3	10.9	30.0	9.5	0.01
R3112008210	-8	5.7	21.4	10.2	34.0	10.8	0.02
R3111010170	-10	6.4	17.3	11.0	35.0	9.5	0.01
R3112010210	-10	6.4	21.4	10.1	28.0	10.8	0.02
R3111010270	-10	6.4	27.4	16.5	48.5	14.0	0.06
R3112012210	-12	7.1	21.4	10.8	32.0	10.8	0.02
R3111012200	-12	7.1	19.6	13.2	40.0	11.0	0.05
R3111012230	-12	7.1	23.1	16.3	50.0	12.5	0.05
R3111012270	-12	7.1	27.4	16.5	48.5	14.0	0.06
R3111015270	-15	7.5	27.3	12.1	34	13.8	0.04
R3111017230	-17	8.4	23.1	16.3	50.0	12.5	0.04
R3112022270	-22	9.5	27.4	14.4	48.0	13.8	0.04
R3111022260	-22	9.5	25.8	17.3	55.0	15.5	0.05
R3111022320	-22	9.5	32.0	17.3	55.0	17.0	0.08
R3112030310	-30	11.1	31.3	16.4	55.5	15.8	0.07
R3111030340	-30	11.1	33.8	17.4	55.0	17.0	0.07
R3111030300	-30	11.1	30.0	18.6	65.0	19.0	0.07
R3112040350	-40	12.7	35.2	17.6	57.0	17.8	0.07
R3112040430	-40	12.7	43.2	18.5	57.0	21.8	0.17
R3111040350	-40	12.7	35.0	20.9	73.0	21.5	0.11
R3112048390	-48	14.3	37.7	19.8	64.0	19.8	0.12
R3111048440	-48	14.3	44.0	20.6	80.0	24.8	0.17

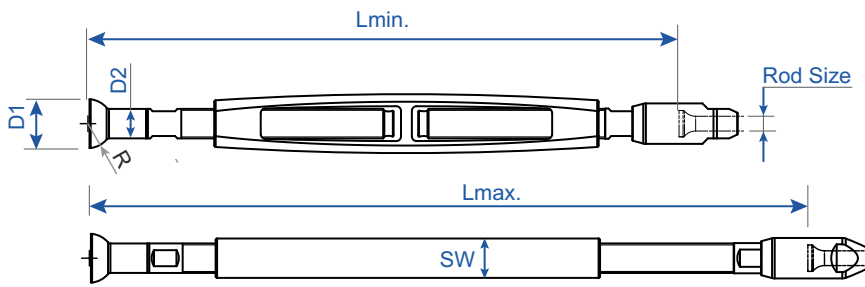
Other dimensions and thread: contact us / Autres dimensions et filetages : nous contacter.

Data subject to changes / Données sujettes à modification

ROD RIGGING - GRÉEMENT ROD



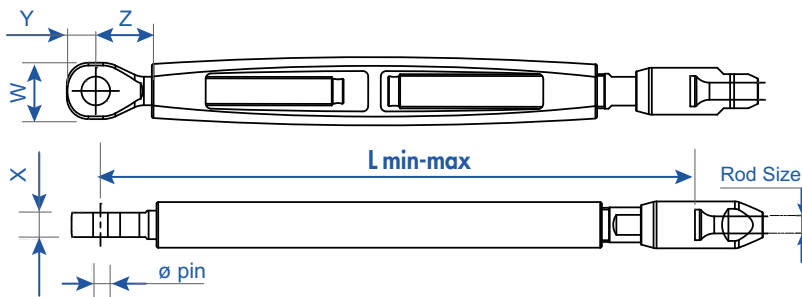
ROD TURNBUCKLE / RIDOIR À BOULE (CHROME BRONZE)



Material: Chrome Bronze and Acidproof Stainless Steel / Matériau : Inox et Bronze Chromé

Ref N°	# Rod Dash	Ø mm	D1 mm	R mm	L min. L max. mm	Break Load Charge rupt. [kg]	Thread Filetage
R3311004190	-4	4.4	17.8	9.8	210 - 289	3110	1/2
R3311006190	-6	5.0	17.8	9.8	216 - 298	3450	1/2
R3311006200	-6	5.0	21.5	10.8	237 - 337	4065	1/2
R3311008200	-8	5.7	21.5	10.8	236 - 336	4135	1/2
R3311010200	-10	6.4	21.5	10.8	252 - 351	5640	1/2
R3311012200	-12	7.1	21.5	10.5	308 - 443	7250	1/2
R3311012260	-12	7.1	27.5	10.5	308 - 443	7250	1/2
R3311012280	-12	7.1	27.5	10.5	308 - 443	7250	5/8
R3311015280	-15	7.5	27.5	10.5	308 - 443	7750	5/8
R3311017280	-17	8.4	27.5	10.5	307 - 442	9500	5/8
R3311022280	-22	9.5	27.5	14.0	370 - 532	13155	3/4

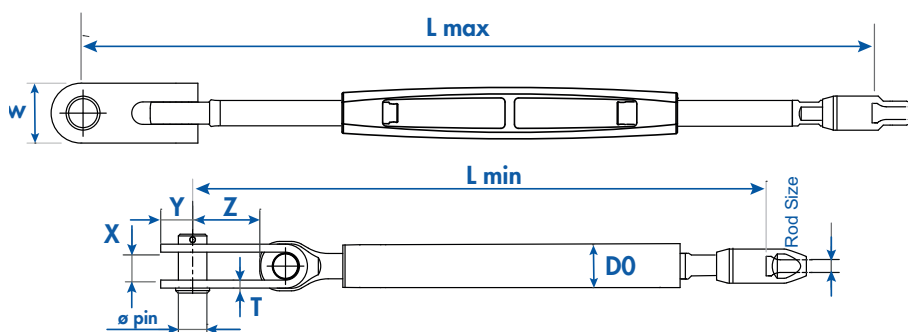
ROD TURNBUCKLE WITH EYE / RIDOIR À OEIL (CHROME BRONZE)



Material: Chrome Bronze and Acidproof Stainless Steel / Matériau : Inox et Bronze Chromé

Ref N°	# Rod Dash	Ø mm	Ø Pin Ø Axe Inch mm	W mm	X mm	Y mm	Z mm	L min. L max. mm	Break Load Charge rupt. [kg]
R3310004100	-4	4.4	3/8" 9.5	18.5	8.5	10.0	16.5	203 - 282	3110
R3310006110	-6	5.0	7/16" 11.1	23.8	10.0	13	18	221 - 317	4065
R3310008110	-8	5.7	7/16" 11.1	23.8	10.0	13	18	220 - 316	4375
R3310010130	-10	6.4	1/2" 12.7	26.0	10.5	13.9	19.6	242 - 341	5730
R3310012130	-12	7.1	1/2" 12.8	26.0	10.5	13.9	19.6	240 - 345	5780
R3310012160	-12	7.1	5/8" 15.9	31.4	13.6	16.1	25.0	305 - 438	7990
R3310017160	-17	8.4	5/8" 15.9	31.4	13.6	16.1	25.0	304 - 437	8850
R3310017190	-17	8.4	3/4" 19.2	37.8	17.2	20.5	29	352 - 517	10650
R3310022190	-22	9.5	3/4" 19.2	37.8	17.2	20.5	29	354 - 519	12880
R3310030220	-30	11.1	7/8" 22.2	41.4	19.4	21.1	39.9	427 - 604	12600
R3310040260	-40	12.7	1" 25.4	49.5	22.0	27	34	495 - 695	21930
R3310048290	-48	14.3	1 1/8" 28.6	55.0	25.0	30.0	43.0	505 - 702	28600

ROD TURNBUCKLE WITH TOGGLE (CHROME BRONZE) / RIDOIR À CHAPE ARTICULÉE

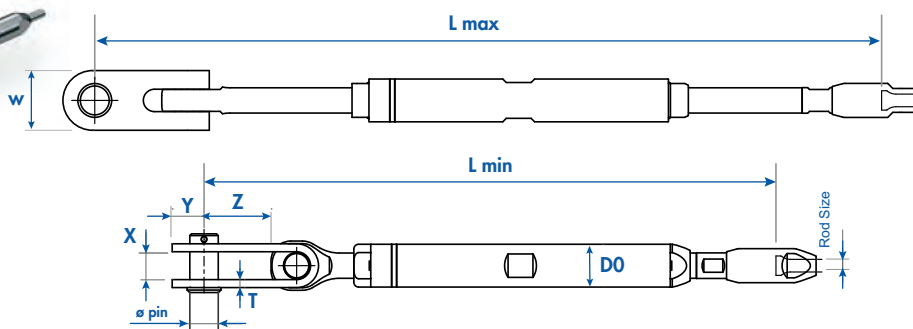


(OPEN BODY - CAGE OUVERTE)

Material: Chrome Bronze and Acidproof Stainless Steel / Matériau : Inox et Bronze Chromé

Ref	# Rod Ø	Ø Pin	W	X	Y	Z	L min.	Break Load
N°	Dash mm	Ø Axe mm	mm	mm	mm	mm	L max. mm	Charge rupt. [kg]
R3312004100	-4 4.4	3/8" 9.5	25.0	11.0 ± 1	12.9	33.5	246 - 325	3110
R3312006100	-6 5.0	3/8" 9.5	25.0	11.0 ± 1	12.9	33.5	252 - 334	3450
R3312006110	-6 5.0	7/16" 11.1	25.0	13.0 ± 1	12.9	34.0	268 - 364	4065
R3312008110	-8 5.7	7/16" 11.1	25.0	13.0 ± 1	12.9	34.0	267 - 363	4435
R3312017160	-8 5.7	1/2" 12.7	30.0	14.0 ± 1	15.4	39.0	294 - 394	5495
R3312010130	-10 6.4	1/2" 12.7	30.0	14.0 ± 1	15.4	39.0	295 - 394	5730
R3312012130	-12 7.1	1/2" 12.7	30.0	14.0 ± 1	15.4	39.8	292 - 397	5780
R3312012160	-12 7.1	5/8" 15.9	40.0	17.5 ± 1	20.6	40.0	361 - 494	7995
R3312015160	-15 7.5	5/8" 15.9	40.0	17.5 ± 1	20.6	40.0	361 - 494	8820
R3312017160	-17 8.4	5/8" 15.9	40.0	17.5 ± 1	20.6	40.0	360 - 493	8820
R3312017190	-17 8.4	3/4" 19.1	50.0	21.5 ± 1	25.6	53.5	432 - 594	10650
R3312022190	-22 9.5	3/4" 19.0	50.0	21.5 ± 1	25.6	53.5	432 - 594	12880
R3312030220	-30 11.1	7/8" 22.2	60.0	24.0 ± 1	30.6	67.5	529 - 728	16715

ROD TURNBUCKLE WITH TOGGLE (S/s STEEL) / RIDOIR À CHAPE ARTICULÉE (INOX)



(CLOSED BODY - CAGE FERMÉE)

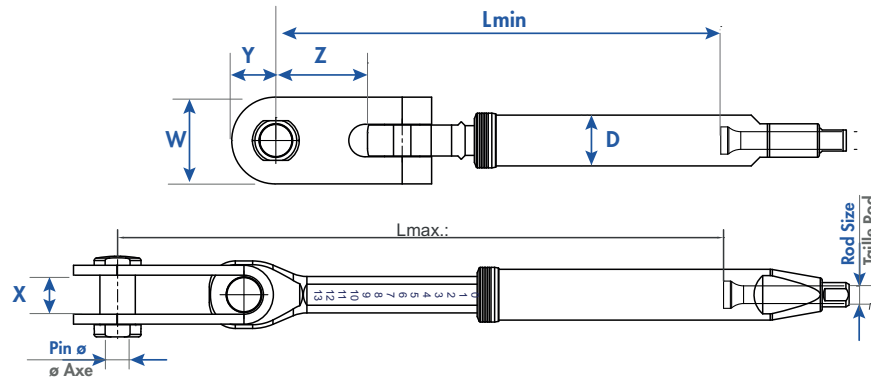
Ref	# Rod Ø	Ø Pin	W	X	Y	Z	D	L min.	Break Load
N°	Dash mm	Ø Axe mm	mm	mm	mm	mm	mm	L max. mm	Charge rupt. [kg]
R3322017160	-17 8.4	5/8" 15.9	40.0	17.5 ± 1.0	20.6	38.0	26.8	237 - 327	10885
R3322022190	-22 9.5	3/4" 19.1	50.0	21.5 ± 1.0	25.6	54.5	30.5	269 - 369	13945
R3322030220	-30 11.1	7/8" 22.2	60.0	24.0 ± 1.0	30.6	68	34.2	313 - 423	17290
R3322040250	-40 12.7	1" 25.4	60.0	28.0 ± 1.0	30.6	68	36.9	333 - 453	21250
R3412048280	-48 14.3	1 1/8" 28.6	70.0	31.5 ± 1.0	35.5	74	41	359 - 489	27950

Data subject to changes / Données sujettes à modification

ROD RIGGING - GRÉEMENT ROD



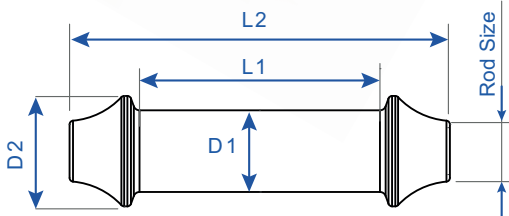
ROD TURNBUCKLE WITH TOGGLE SL SERIE / RIDOIR À CHAPE ARTICULÉE SÉRIE SL



Material: Acidproof Stainless Steel with high mechanical strength / Matériau : Inox haute résistance

Ref	# Rod Ø	Ø Pin	W	X	Y	Z	D	L min.	Break Load
N°	Dash mm	Ø Axe mm	mm	mm	mm	mm	mm	L max. mm	Charge rupt. [kg]
R3512010130	-10 6.4	1/2" 12.7	30.0	14 ± 1.0	15.4	39.5	21.5	192 - 262	6858
R3512012130	-12 7.1	1/2" 12.7	30.0	14 ± 1.0	15.4	38.5	23.5	208 - 283	7590
R3512012160	-12 7.1	5/8" 15.9	40.0	17.5 ± 1.0	20.6	40.5	23.5	214 - 289	8400
R3512015160	-15 7.5	5/8" 15.9	40.0	17.5 ± 1.0	20.6	40.5	23.5	212 - 287	8590
R3512017160	-17 8.4	5/8" 15.9	40.0	17.5 ± 1.0	21.0	38.0	26.8	237 - 327	10885
R3512022190	-22 9.5	3/4" 19.1	50.0	21.5 ± 1.0	25.6	54.5	30.5	269 - 369	13945
R3512030220	-30 11.1	7/8" 22.2	60.0	24.0 ± 1.0	30.6	68	34.2	313 - 423	17290
R3512040250	-40 12.7	1" 25.4	60.0	28.0 ± 1.0	30.6	68	36.9	333 - 453	21250
R3512048280	-48 14.3	1 1/8" 28.6	70.0	31.5 ± 1.0	35.5	74	41	359 - 489	27950

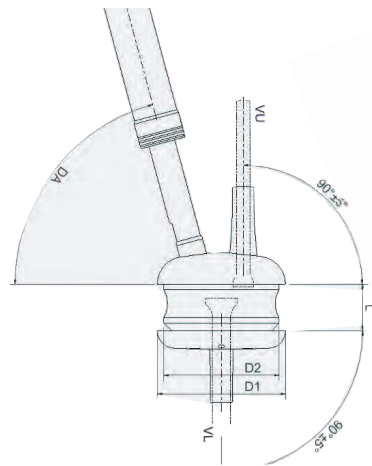
SPREADER BEND / SPREADER BEND



Material: Acidproof Stainless Steel / Matériau : Inox

Ref	# Rod Ø	L1	L2	D1	D2
N°	Dash mm	mm	mm	mm	mm
R3910004800	-4 4.4	17.7	39.0	7.6	11.0
R3910006800	-6 5.0	18.5	39.0	8.0	11.0
R3910008900	-8 5.7	23.5	46.0	9.0	12.0
R3910010100	-10 6.4	33.5	56.0	10.0	13.0
R3910012100	-12 7.1	33.5	56.0	10.0	13.0
R3910015110	-15 7.5	38.6	63.0	11.0	14.0
R3910017110	-17 8.4	38.6	63.0	11.0	14.0
R3910022160	-22 9.5	43.6	70.0	13.0	16.0
R3910030180	-30 11.1	53.6	80.0	15.0	18.0
R3910040200	-40 12.7	58.6	85.0	17.0	20.0
R3910048220	-48 14.3	61.4	90.0	19.0	22.0

Data subject to changes / Données sujettes à modification



GRÉEMENT ROD - ROD RIGGING

ROD TIP CUP / ROD TIP CUP

Ref	VL Lower		VU Upper		DI Diagonal		DA Diagonal Degrees	D1 mm	D2 mm	L mm	Weight Kg
	Dash	mm	Dash	mm	Dash	mm					
R3700060404	-6	4.4	-4	4.4	-4	4.4	75° ± 5°	48.0	42.0	12.0	0.35
R3700080604	-8	5.7	-6	5.0	-4	4.4	75° ± 5°	48.0	42.0	12.0	0.42
R3700100604	-10	6.4	-6	5.0	-4	4.4	75° ± 5°	52.0	46.0	16.0	0.51
R3700100806	-10	6.4	-8	5.7	-6	5.0	75° ± 5°	52.0	46.0	19.0	0.58
R3700120810	-12	7.1	-8	5.7	-10	6.4	75° ± 5°	59.0	52.0	22.0	0.58
R3700121006	-12	7.1	-10	6.4	-6	5.0	75° ± 5°	52.0	46.0	19.0	0.58
R3700121008	-12	7.1	-10	6.4	-8	5.7	75° ± 5°	52.0	46.0	19.0	0.58
R3700121010	-12	7.1	-10	6.4	-10	6.4	75° ± 5°	59.0	52.0	22.0	0.90
R3700121210	-12	7.1	-12	7.1	-10	6.4	75° ± 5°	59.0	52.0	22.0	0.90
R3700151008	-15	7.5	-12	7.1	-8	5.7	75° ± 5°	59.0	52.0	22.0	0.77
R3700151010	-15	7.5	-10	6.4	-10	6.4	75° ± 5°	59.0	52.0	22.0	0.78
R3700151206	-15	7.5	-12	7.1	-6	5.0	75° ± 5°	59.0	52.0	22.0	0.78
R3700151208	-15	7.5	-12	7.1	-8	5.7	75° ± 5°	59.0	52.0	22.0	0.76
R3700171206	-17	8.4	-12	7.1	-6	5.0	75° ± 5°	59.0	52.0	22.0	0.76
R3700171208	-17	8.4	-12	7.1	-8	5.7	75° ± 5°	59.0	52.0	22.0	0.76
R3700171210	-17	8.4	-12	7.1	-10	6.4	75° ± 5°	59.0	52.0	22.0	0.89
R3700171212	-17	8.4	-12	7.1	-12	7.1	75° ± 5°	69.0	62.0	26.0	1.42
R3700171512	-17	8.4	-15	7.5	-12	7.1	75° ± 5°	69.0	62.0	26.0	1.42
R3700221212	-22	9.5	-12	7.1	-12	7.1	75° ± 5°	69.0	62.0	26.0	1.96
R3700221510	-22	9.5	-15	7.5	-10	6.4	75° ± 5°	64.0	56.0	22.0	1.01
R3700221512	-22	9.5	-15	7.5	-12	7.1	75° ± 5°	69.0	62.0	26.0	1.05
R3700221708	-22	9.5	-17	8.4	-8	5.7	75° ± 5°	64.0	56.0	22.0	0.96
R3700221710	-22	9.5	-17	8.4	-10	6.4	75° ± 5°	64.0	56.0	22.0	1.03
R3700221712	-22	9.5	-17	8.4	-12	7.1	75° ± 5°	69.0	62.0	26.0	1.45
R3700222212	-22	9.5	-22	9.5	-12	7.1	75° ± 5°	69.0	62.0	26.0	1.41
R3700301712	-30	11.1	-17	8.4	-12	7.1	75° ± 5°	69.0	62.0	26.0	1.42
R3700302208	-30	11.1	-22	9.5	-8	5.7	75° ± 5°	69.0	62.0	26.0	1.12
R3700302210	-30	11.1	-22	9.5	-10	6.4	75° ± 5°	69.0	62.0	26.0	1.24
R3700302212	-30	11.1	-22	9.5	-12	7.1	75° ± 5°	69.0	62.0	26.0	1.43
R3700302215	-30	11.1	-22	9.5	-15	7.5	75° ± 5°	69.0	62.0	26.0	1.42
R3700402212	-40	12.7	-22	9.5	-12	7.1	75° ± 5°	79.5	72.0	29.0	1.89
R3700402217	-40	12.7	-22	9.5	-17	8.4	75° ± 5°	79.5	72.0	29.0	2.09
R3700403012	-40	12.7	-30	11.1	-12	7.1	75° ± 5°	79.5	72.0	29.0	1.92
R3700403017	-40	12.7	-30	11.1	-17	8.4	75° ± 5°	79.5	72.0	29.0	2.11
R3700403022	-40	12.7	-30	11.1	-22	9.5	75° ± 5°	89.5	82.0	32.0	2.51
R3700484022	-48	14.3	-40	12.7	-22	9.5	75° ± 5°	89.5	82.0	32.0	2.61
R3700484830	-48	14.3	-48	14.3	-30	11.1	75° ± 5°	98.0	88.0	38.0	3.63

DATAS REPORTING - RELEVÉS

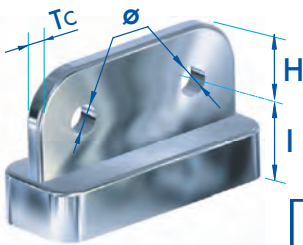
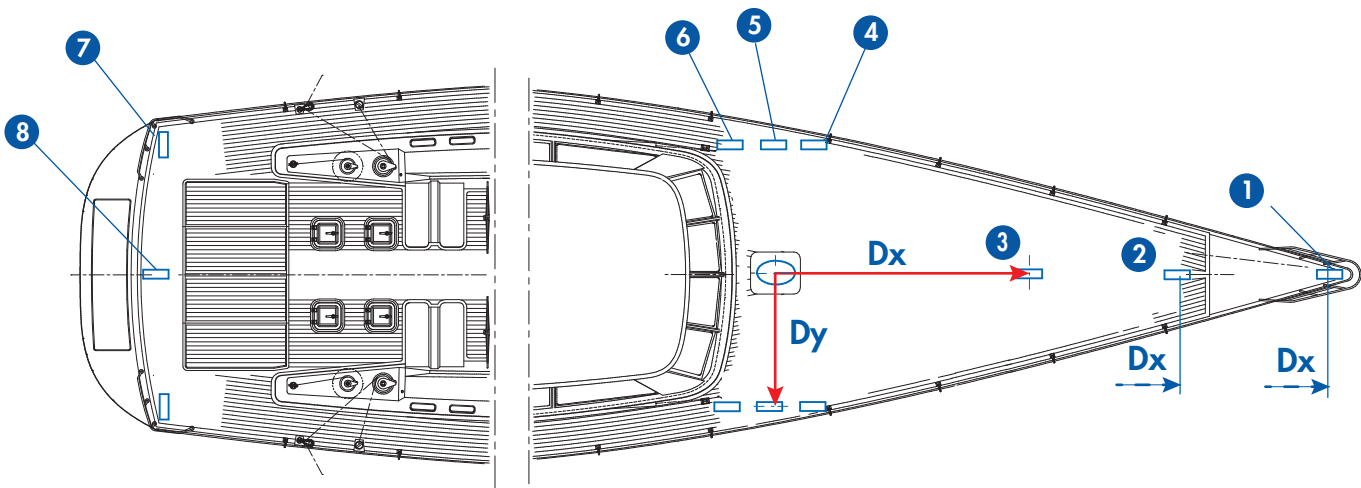
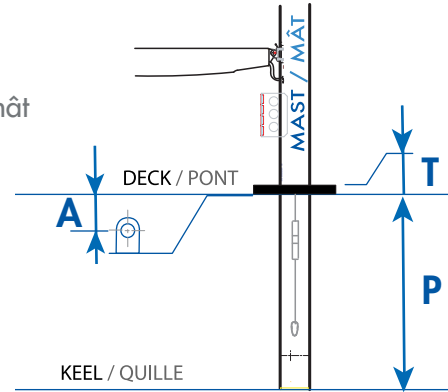


CHAINPLATE LAYOUT / RELEVÉ DE CADÈNES

Chainplate layout - MONOHULL / Relevé de cadènes - MONOCOQUE

T = Thickness mast step
 T = Épaisseur du pied de mât

Mast Step / Pied de mât	
A	
P	
Thickness / Épaisseur	



Boat > Bateau >	Observations >		
Customer > Client >	Date	Rake / Quête	Stability / Assiette

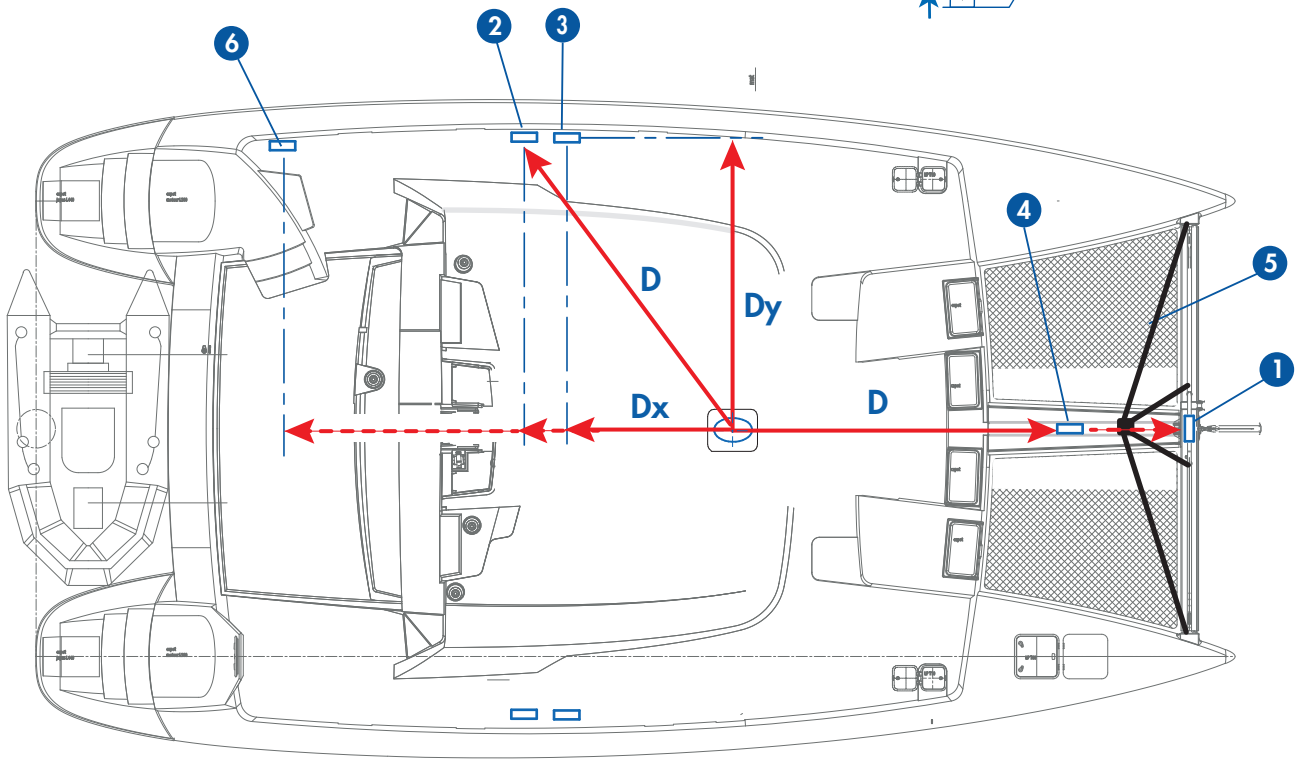
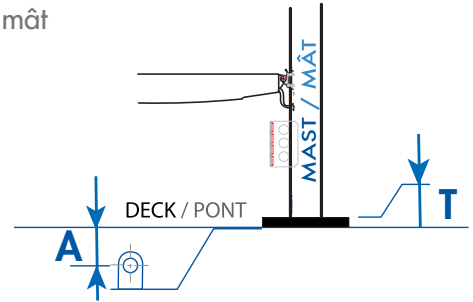
	1	2	3	4	5	6	7	8	
	Forestay Étai	Staysail Trinquette	Body Stay Bas Étai	Fwd Lower Bas-Hauban	Cap Shroud Galhauban	Inter	Aft Lower Bas-Hauban	Bridle Patte d'oe	Backstay Pataras
A									
D									
Dx									
Dy									
H									
I									
ø									
Thick/Ep. Tc									

CHAINPLATE LAYOUT / RELEVES DE CADÈNES

🇬🇧 Chainplate layout - MULTIHULL / 🇫🇷 Relevé de cadènes - MULTICOQUE

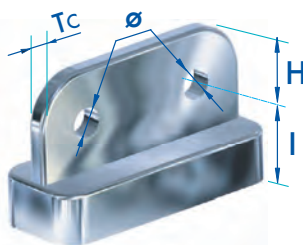
T = Thickness mast step
 T = Épaisseur du pied de mât

Mast Step / Pied de mât	
A	
Thickness / Épaisseur	



Boat > Bateau >		Observations >		
Customer > Client >		Date	Rake / Quête	Stability / Assiette

	1	2	3	4	5	6
	Forestay Étai	Cap Shroud Galhauban	Aft Lower Bas-Hauban AR	Staysail Trinquette	Cross beam bridle Tiran Poutre	Runner Bastaque
A						
D						
Dx						
Dy						
H						
I						
∅						
Thick/Ep. Tc						



CONDITIONS GÉNÉRALES DE VENTE SPARCRAFT

Applicables à compter du 01/10/2020

ARTICLE PREMIER - FORMATION DU CONTRAT

1.1. Application

Les présentes conditions annulent et remplacent les conditions précédemment applicables et définissent les modalités d'exécution ainsi que les conditions dans lesquelles sont conclues les ventes entre SPARCRAFT et ses clients. Tout autre document émis par SPARCRAFT et notamment catalogues, prospectus, publicités, n'ont qu'une valeur informative et indicative.

D'un commun accord entre les parties les ventes sont toujours faites aux conditions décrites ci-après : Les dispositions des présentes ne sauraient être modifiées par des stipulations contraires contenues notamment dans les conditions générales d'achat du client ou toute autre structure en relation avec le client, ainsi que tout autre document sans un accord express et écrit des parties. En conséquence la commande passée par un client emporte adhésion sans réserve de ce dernier aux présentes conditions générales de vente sauf conditions particulières expressément consenties par SPARCRAFT au client. La version française des conditions générales de vente prévaut sur toute traduction qui en serait faite. Elles s'appliquent quelle que soit la nature des produits commandés et notamment aux Mâts, Bômes, Tangons, Espars, Accastillages, Gréements et Eléments de structures.

Le fait que SPARCRAFT ne se prévale pas à un moment donné de l'une des présentes conditions ne peut être interprété comme valant renonciation à se prévaloir ultérieurement de l'une quelconque desdites conditions. L'annulation d'une clause de ces conditions n'affectera pas la validité des conditions dans leur ensemble.

1.2. Consentement

1.2.1. Offre

1.2.1.1. Nos offres, pour des produits spécifiques, ayant donné lieu à l'établissement d'un devis, ne sont valables que si elles ont été acceptées dans le délai de validité qui y figure.

1.2.1.2. SPARCRAFT se réserve le droit de refuser toute commande de produits pour un montant facturé inférieur à 100 euros HT net.

1.2.1.3. Toute offre faite par SPARCRAFT ne deviendra définitive qu'après accusé de réception de la commande du client par un écrit de SPARCRAFT.

1.2.2. Accusé de réception de la commande

Il pourra se réaliser selon les formes et les usages en vigueur en matière commerciale et notamment par courrier, télécopie, email. En tout état de cause, l'absence de dénonciation par écrit dans les 48 heures des termes de l'accusé de réception emporte confirmation de la commande par le client.

1.3. Annulation : Toute demande d'annulation de commande pour quelque cause que ce soit ne pourra être examinée au-delà de 48 heures après accusé de réception de la commande.

1.4. Cahier des charges : Le client s'engage à communiquer à SPARCRAFT son cahier des charges pour la réalisation de prestations de services spécifiques. Ce document écrit doit être suffisamment explicite pour permettre à SPARCRAFT de chiffrer sa proposition commerciale.

Le client contracte à l'égard de notre société une obligation d'information et s'engage notamment : A transmettre tout document ou renseignement utile (plans, études, synoptique, contraintes sécuritaires...). En outre, si au cours de réalisation des prestations, le client est sollicité par SPARCRAFT pour donner son accord (validation d'étude préalable, bon de fabrication...), il doit faire connaître sa réponse sous huitaine par écrit ou par fax. A défaut de réponse, l'accord sera considéré comme acquis et sans réserve.

ARTICLE DEUX - JURIDICTION COMPÉTENTE ET DROIT APPLICABLE DEVANT LA JURIDICTION COMPÉTENTE

2.1. Juridiction compétente : Les parties conviennent expressément que le Tribunal compétent sera le Tribunal de Commerce de LA ROCHELLE même en cas d'appel en garantie, de pluralité de défendeurs.

2.2. Droit applicable : D'un commun accord entre les parties la loi applicable aux relations contractuelles entre SPARCRAFT et ses clients est la loi française. Néanmoins ce droit ne sera applicable à ces relations qu'au-delà de ce qui n'a pas été prévu par les présentes conditions générales de vente. La langue de référence pour les relations contractuelles et en cas de contentieux sera le français.

ARTICLE TROIS - LIVRAISON

3.1. Minimum de livraison : SPARCRAFT se réserve le droit de refuser toute livraison de produits pour un montant facturé inférieur à 100 euros HT net.

3.2. Délais : Les délais de livraison ne sont donnés qu'à titre informatif et indicatif. Tout dépassement de délai de livraison ne pourra donner lieu au versement de pénalités et/ou dommages et intérêts. Tout retard par rapport au délai de livraison initialement prévu ne saurait justifier la résiliation de la commande.

3.3. Réception ou enlèvement : Les produits de SPARCRAFT, quelles que soient les conditions de transport, voyagent aux risques et périls du client. En conséquence, le client supportera tous risques que les produits peuvent courir ou occasionner à partir de la délivrance des produits. Il devra s'assurer en conséquence et en supporter les charges. Dans tous les cas, il appartient au client en cas de vice apparent des produits livrés ou de manquants, d'effectuer toutes réserves nécessaires auprès du transporteur dès leur réception sur le récépissé de transport. Ces réserves devront être confirmées par acte extrajudiciaire ou par lettre recommandée avec accusé de réception près du transporteur dans les trois jours suivant la date de réception des produits. Sans préjudice des dispositions à prendre par le client vis-à-vis du transporteur telles que décrites ci-dessus, toute réclamation quelle qu'en soit la nature portant sur les produits livrés ne sera acceptée que si elle est effectuée par écrit en lettre recommandée avec accusé de réception auprès de SPARCRAFT. Cette réclamation devra s'effectuer dans les quarante-huit heures suivant leur réception par le client. En cas d'enlèvement des produits par le client, les réclamations devront être formulées sur le bon de réception, contresignée par SPARCRAFT. A défaut, toute réclamation sera déclarée irrecevable.

Si l'expédition est retardée pour une cause dépendant de la volonté du client, les produits, après notification au client, sont emmagasinés ou maintenus à ses frais, risques et périls, SPARCRAFT déclinant toute responsabilité subséquente à ce retard qui ne pourra jamais de convention expresse, donner lieu à indemnités. Si, pour quelque cause que ce soit, SPARCRAFT préalablement aux opérations de montage ou de mise en place, procède à une livraison en une ou plusieurs fois, de tout ou partie des matériaux, matériels et outillages nécessaires à l'installation, ceux-ci se trouvent sous la garde et la responsabilité du client avec toute conséquence de droit. Cette stipulation ne modifie en rien les obligations de paiement de la fourniture et ne constitue aucune novation.

3.4. Retour : Aucun produit livré ne pourra être retourné par le client à SPARCRAFT, sans l'accord préalable express et écrit de cette dernière. Les frais de retour ne seront à la charge de SPARCRAFT que dans le cas où un vice apparent est effectivement constaté par cette dernière. Seul le transporteur choisi par SPARCRAFT est habilité à effectuer ce retour.

3.5. Remplacement : Lorsqu'un vice apparent ou des manquants sont effectivement constatés par SPARCRAFT, le client ne pourra demander que le remplacement des produits non conformes et/ou le complément apporté pour combler les manquants sans pouvoir prétendre à une quelconque indemnité ou à la résolution de la commande. Toute réclamation effectuée par le client dans les conditions et suivant les modalités décrites ci-dessus ne suspend pas le délai de paiement des produits commandés.

ARTICLE QUATRE - TRANSFERT DES RISQUES

Le transfert des risques au client sur les produits commandés, s'effectuera lors de l'enlèvement ou de la délivrance de ceux-ci au transporteur.

ARTICLE CINQ - PRIX ET PAIEMENT

5.1. Prix : Les prix des produits sont ceux figurant sur les tarifs, confirmations de commandes ou devis établis par SPARCRAFT pour la durée de validité de ceux-ci. A moins qu'il n'en soit convenu expressément avec le client, ces prix s'entendent départ usine.

5.2. Facturation : Une fois la commande exécutée selon les délais fixés dans l'accusé de réception, le matériel sera facturé dès sa mise à disposition chez Sparcraft

5.3. Délai de paiement

5.3.1. Les factures sont payables au comptant sans escompte. Seul l'encaissement effectif des traites et des chèques sera considéré comme valant complet paiement au sens du présent article.

5.3.2. Le paiement des produits commandés par les nouveaux clients ou les clients n'ayant pas de compte ouvert auprès de SPARCRAFT s'effectuera au comptant contre remboursement ou avant expédition.

5.3.3. Intérêts moratoires : Toute somme non payée à l'échéance donnera lieu, après mise en demeure restée infructueuse, au paiement par le client, d'un intérêt de retard égal à trois fois le taux de l'intérêt légal.

5.3.4. Suspension des commandes en cours

En cas de retard de paiement SPARCRAFT pourra suspendre toutes les commandes en cours sans préjudice de toute autre voie d'action.

5.3.5 SPARCRAFT aura la faculté, à tout moment, soit avant l'exécution du contrat, soit au cours de celle-ci, d'exiger du client une garantie de recouvrement de ses créances satisfaisante pour elle-même sans avoir à justifier de cette décision. En cas de défaut de fourniture de ladite garantie SPARCRAFT pourra résilier le contrat, sans préjudice de tous dommages et intérêts à la charge du client, s'il y a lieu.

5.4. Clause de réserve de propriété

5.4.1. Conformément à la loi n° 80.335 du 12 mai 1980, SPARCRAFT se réserve expressément le droit de conserver la propriété des produits vendus jusqu'au jour de leur complet paiement en principal, frais, intérêts et accessoires. Toutefois les risques sont transférés dès la délivrance.

5.4.2. En cas de cessation des paiements ou de non-paiement de tout ou partie d'une seule échéance le client s'interdit formellement de continuer à vendre les produits dont le prix n'est pas encore réglé et effectivement encaissé.

5.4.3. Dès lors que le client laisserait impayé en tout ou partie une échéance, SPARCRAFT sans perdre aucun de ses droits, pourra exiger la restitution de la totalité des produits correspondant aux commandes du client non encore effectivement payées et encaissées, les parties convenant d'une indivisibilité conventionnelle expresse entre toutes les commandes dans cette hypothèse. Les règlements effectués par le client, quelle que soit l'imputation que ce dernier serait amené à leur donner ultérieurement, et même si leur montant correspond exactement au montant de l'une des factures, s'imputeront en priorité pour l'application de la présente clause, et par dérogation expressément acceptée par les deux parties à l'article 1253 du Code Civil, à celles des factures qui correspondent à des produits qui auraient déjà été revendus.

5.4.4. Pendant la durée de la réserve de propriété, les produits vendus devront être assurés par le client contre tout risque de dommages subis par lesdits biens. En cas de sinistre partiel, le client assumera à ses frais la remise en état desdits produits. Les indemnités d'assurances seront réglées directement par la compagnie d'assurance entre les mains du client après accord écrit de SPARCRAFT. En cas de sinistre total, les règlements provenant de la compagnie d'assurance seront acquis à SPARCRAFT par subrogation sans préjudice de tout recours et action pouvant être intenté contre le client par SPARCRAFT.

5.4.5. En cas de cessation des paiements, de dépôt de bilan, de procédure collective, de règlement amiable ou de jugement déclaratif contre le client, ce dernier devra en aviser sans délai SPARCRAFT afin qu'une identification et un inventaire des produits vendus mais non encore intégralement payés et effectivement encaissés puissent être dressés et que la clause de réserve de propriété puisse recevoir application le cas échéant.

5.4.6. SPARCRAFT pourra revendiquer également entre les mains des sous-acquéreurs le prix ou la partie du prix des produits vendus par SPARCRAFT au client avec clause de propriété qui n'auront pas été intégralement réglés ni effectivement encaissés ou compensés en compte courant entre le client et ses sous-acquéreurs. Pour l'exercice de ce droit, le client s'engage à fournir sans délai à SPARCRAFT à première demande de celle-ci tous les renseignements utiles concernant les sous-acquéreurs des produits vendus.

ARTICLE SIX - GARANTIE

6.1. Garantie contractuelle : Les produits vendus par SPARCRAFT sont garantis contre tout défaut de matière ou de fabrication pendant une durée d'un an à compter de leur livraison.

Au titre de cette garantie la seule obligation incombant à SPARCRAFT sera la réparation ou le remplacement gratuit du produit ou de l'élément reconnu défectueux par ses services à l'exclusion de toute autre indemnité ou dommages et intérêts, les frais éventuels de port étant à la charge du client. Toute prise en charge ou intervention au titre de la garantie, devra faire l'objet d'un accord préalable écrit de SPARCRAFT.

Les défauts et détériorations provoqués par l'usure naturelle, par un événement extérieur (montage non conforme aux instructions techniques de SPARCRAFT, entretien défectueux, utilisation anormale ou en compétition, cas de force majeure...) ou encore par une modification du produit non prévue, ni spécifiée par SPARCRAFT, sont exclus de la garantie. De même la garantie ne jouera pas pour les vices apparents dont le client devra se prévaloir dans les conditions de l'article 3.3.

6.2. Conditions complémentaires de vente et de garanties des mâts et gréements réglables.

Les gréements réglables et les mâts haubanés par au moins un élément dont la tension est réglable par un dispositif « courant », c'est-à-dire un palan ou un winch permettant des réglages à forte course par opposition à un dispositif « dormant », c'est-à-dire à ridoir, font l'objet d'une utilisation sélective et des réserves et prescriptions impératives suivantes :

Contrairement au gréement à dispositif « dormant » ou « quasi dormant », la tension que permet l'élément courant est laissée à l'initiative de l'équipage en cours de navigation. Les mâts munis d'un tel dispositif ne peuvent être utilisés et manoeuvrés qu'avec précaution et par un équipage averti. Des réglages excessifs imposés en cours de navigation engendrent inéluctablement une fatigue accélérée provoquée par des déformations inadaptées et entraînent soit un risque de rupture, soit un risque de déformation qui lui-même entraînera rapidement la rupture. Ces gréements et mâts ne disposent d'aucune limitation permettant d'éviter des réglages excessifs, ils sont conçus et construits pour être manoeuvrés en tenant compte des caractéristiques techniques de l'alliage d'aluminium, excluant tous cintres excessifs flèche supérieure en valeur à la dimension longitudinale du profil de mât. Toute utilisation qui ne respecterait pas ces strictes conditions spéciales ne sera pas conforme aux conditions de la vente et constituera un usage contraire à celui pour lequel l'ensemble gréement / mât a été conçu, fabriqué et vendu.

6.3. La présente garantie n'est applicable que dans la mesure où les produits vendus par SPARCRAFT sont utilisés avec les précautions nécessaires, dans les conditions dont il est ci-dessus disposé, et à l'exclusion de toutes autres, notamment régates et compétitions.

6.4. Lieu de garantie : En cas de reconnaissance de notre part de la prise en garantie d'une réparation ou d'une prévention, l'intervention aura lieu exclusivement dans l'un de nos points services agréés SPARCRAFT. Le transport du produit au point service reste à la charge du client. La liste de nos nombreux points service est disponible sur simple demande.

6.5. Garantie légale : Au titre de la garantie des vices cachés SPARCRAFT ne sera tenue que de la réparation ou du remplacement du produit défectueux à l'exclusion de la réparation de tout autre préjudice, les frais de transport et d'installation restant à la charge du client.

6.6. Obligations du client : L'emploi des produits tels quels ou en combinaison avec d'autres produits ou marchandises sera fait aux risques et périls du client. Le client s'oblige à stocker et utiliser les produits conformément à la réglementation en vigueur et à respecter l'ensemble de ses obligations légales vis à vis de ses propres clients. SPARCRAFT ne peut en aucun cas être responsable des défauts et détériorations des produits livrés consécutifs à des conditions anormales ou non conformes de stockage, de conservation et de ventes postérieures à la délivrance de ces produits.

6.7. Exclusions : Sont notamment exclus de la garantie précisée aux articles ci-dessus :

- les frais de démâtages, mâtage, grutage, stockage et transport du mât (ou autre espar) et toute pièces détachées.
- Les frais et dommages éventuels consécutifs à l'impossibilité d'utilisation du bateau ou de son matériel, qui restent en tout état de cause à la charge de l'acheteur ou de l'utilisateur.
- Les détériorations ou avaries énumérées ci-après ainsi que leurs conséquences : l'usure normale, les fissures, craquelures ou décoloration de la peinture ou de l'anodisation, les dommages résultant : de transformations et modifications, ou réparations même partielles effectuées sans autorisation de SPARCRAFT, de l'inobservation des préconisations d'entretien précisées dans le manuel d'utilisation livré avec le mât, de l'inobservation des règles de l'art, d'une mauvaise utilisation, notamment d'un usage négligent, imprudent, abusif ou anormal, de la participation à des régates, des courses, des tentatives de records, de négligence quant à la prise de mesures conservatoires qui s'imposent, d'un accident ou sinistre tel que notamment explosion, incendie, inondation, tempête, foudre, transport, émeute, vol, heurt, de conditions de stockage ou transport inadaptés.

CONDITIONS GÉNÉRALES DE VENTE SPARCRAFT

6.8. Cas des produits peints

A réception des produits, ceux-ci devront être déballés dans les 48 heures au maximum et stockés convenablement. Il faut impérativement envoyer un procès-verbal de réception du produit disponible avec le bon de livraison ou sur notre site internet. Sans ce procès-verbal de réception, nous ne pouvons prendre en charge une quelconque garantie.

Sont également exclus de la garantie les cloques et boursoufflures pouvant apparaître sur les produits peints, notamment aux alentours des assemblages, fixations et zones de frottements.

6.9. Force majeure : En cas de survenance d'un événement de force majeure, de cas fortuit ou de cause extérieure notamment en raison d'incendies, inondations, grèves totales ou partielles, fermetures d'entreprises, entraves aux déplacements, dégradations volontaires, vols, changements de réglementations, impossibilités d'être approvisionné en matières premières, ruptures d'approvisionnement énergétique, mauvais fonctionnement ou interruptions des réseaux électriques ou de télécommunications... SPARCRAFT sera déchargée de plein droit et sans indemnité de son obligation de délivrance à compter de la date de survenance des événements et s'engage à prévenir le client dans les plus brefs délais.

ARTICLE SEPT - CONFIDENTIALITE - PROPRIETE INTELLECTUELLE

7.1. SPARCRAFT et le client s'engagent mutuellement à respecter la plus stricte confidentialité sur tout ce qu'ils pourraient apprendre à l'occasion de la réalisation des obligations comprises dans les bons de commande ou devis. Les parties s'engagent à ne pas communiquer à des tiers, sauf obligations légales, les informations ou renseignements qui leurs sont connus en raison des obligations objet du présent contrat. Elles s'engagent à faire respecter strictement cette obligation par leurs personnels et préposés.

7.2. Les études, projets et documents de toute nature remis ou envoyés par SPARCRAFT restent toujours sa propriété. Ils doivent être remis sur sa demande. SPARCRAFT conserve la propriété intellectuelle de ses projets qui ne peuvent être communiqués, ni exécutés sans son autorisation écrite.

7.3. Les parties reconnaissent expressément que toute utilisation, reproduction, représentation, adaptation ou traduction des droits de propriété intellectuelle attachés à l'ensemble des créations de SPARCRAFT, et notamment photographies, dessins, graphiques... devra faire l'objet d'une cession distincte au profit du client.

7.4. Le client reconnaît expressément à SPARCRAFT le droit de se prévaloir à titre publicitaire de la qualité de concepteur des créations ainsi réalisées dans tous les documents visant à promouvoir l'activité de notre société auprès des tiers. SPARCRAFT sera également libre de faire figurer sur ces documents publicitaires ou d'indiquer à tous tiers la dénomination sociale ou tout autre signe distinctif du client après l'exécution de la mission.

7.5. Le client pourra mentionner le nom de SPARCRAFT, sur ses supports, des créations réalisées par SPARCRAFT dans l'exécution du bon de commande ou du devis.

ARTICLE HUIT - RESPONSABILITES

La responsabilité de la SAS SPARCRAFT est limitée aux seuls dommages matériels directs causés au client qui résulteraient de fautes imputable à la SAS SPARCRAFT dûment prouvées. En aucun cas, la SAS SPARCRAFT ne sera responsable des dommages immatériels et/ou indirects, tels que pertes d'exploitation, de production, de profits, de contrats, de revenus, indisponibilité de Fourniture et/ou de Prestation et de tout autre équipement, réclamations de tiers, manque à gagner, atteinte à l'image, préjudice commercial, sans que cette liste soit limitative, causés par la SAS SPARCRAFT.

En tout état de cause, la responsabilité totale et cumulative de la SAS SPARCRAFT, toutes causes confondues, ne pourra excéder 100 000 €.

Au-delà des limites et exclusions mentionnées ci-avant, le Client renonce, pour son compte et celui de ses assureurs, à réclamer à la SAS SPARCRAFT, réparation des dommages causés par la SAS SPARCRAFT et tient également la SAS SPARCRAFT indemne pour toute demande, réclamation ou condamnation dont la SAS SPARCRAFT pourrait faire l'objet.



Liste agents



Distributor network

■ Sparcraft has developed a global network of rigging professionals covering the worldwide and which can perform a real after sale service. Our effective logistics is guaranteed by our experience and our valuable means.



■ Vous disposez avec Sparcraft d'un Service Après Vente et d'un réseau international de professionnels du gréement. Nos agents et une logistique efficace vous garantissent la pérennité de votre produit et le suivi des pièces partout dans le monde.

www.sparcraft.com
www.sparcraft.fr





SPARCRAFT, since 1962

SPARCRAFT
DIVISION RIGGING

GRÉEMENT COURANT & DORMANT
STANDING & RUNNING RIGGING



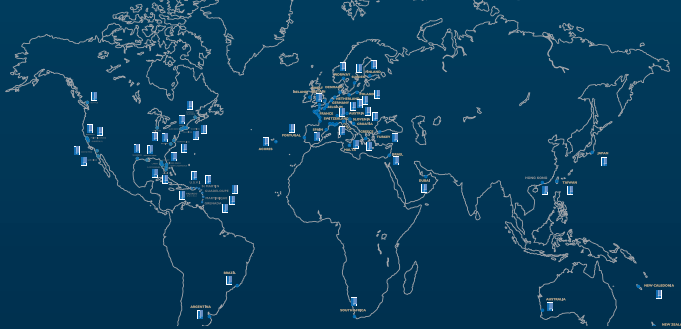
TEL : +33 (0)5 46 45 90 45
e-mail : info@sparcraft.com

MÂTS - BÔMES - ACCASTILLAGE
MASTS - BOOMS - HARDWARE

SPARCRAFT - FRANCE
8, Rue Blaise Pascal Z.I. de Périgny
F-17185 Périgny
TEL : +33 (0)5 46 45 90 45
e-mail : info@sparcraft.com
www.sparcraft.com



SPARCRAFT™
Performance Engineering



Distributors
localization



Liste des
revendeurs



WORLDWIDE NETWORK

www.sparcraft.com
www.sparcraft.fr

WICHARD - RONSTAN - ANDERSEN - PROFURL - FACNOR - SPARCRAFT - LORIMA - AXXON

